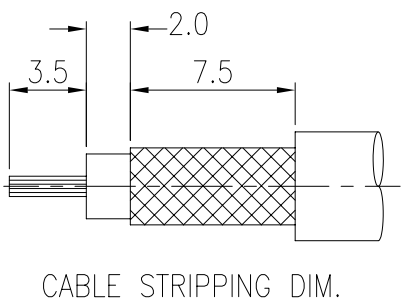


NO.	QTY	DESCRIPTION	PART'S NO.	MATERIAL	FINISH
3	1	FERRULE	20-101C0-03NA	BRASS	NICKEL PLATED
2	1	CONTACT	12-130AP-02GD	BRASS	GOLD PLATED
1	1	RING	S12-130AP	BRASS	NICKEL PLATED
	1	INSULATOR		TEFLON	NONE
	1	BODY		BRASS	NICKEL PLATED



GENERAL TOLERANCES  
 DIM: .X±0.25(0.01) .XX±0.12(0.005)  
 ANGULAR: ±3°

DIMENSION CLASSIFICATION  
 ■: CRITICAL ☒: MAJOR

MATERIAL : SEE TABLE  
 FINISH : SEE TABLE

DRAWN BY: EUGENE 6/21/2007  
 CHK'D BY:  
 APP'D BY:  
 SCALE : 3 : 1

SHEET 1 OF 1  
 UNIT : mm

**ALINER** 圓陵工業股份有限公司  
 ALINER INDUSTRIES, INC.

TITLE: RP TNC ST. JACK FOR RG-58 CABLE

DWG. NO.: 12-130AP-B  
 REV A

DO NOT SCALE DRAWING

LTR	REVISION RECORD	ECN	DR/CHK	DATE
8	7	6	5	4

REVISE ONLY ON CAD SYSTEM

8 7 6 5 4 3 2 1

E D C B

E D C B

A