

8 7 6 5 4 3 2 1

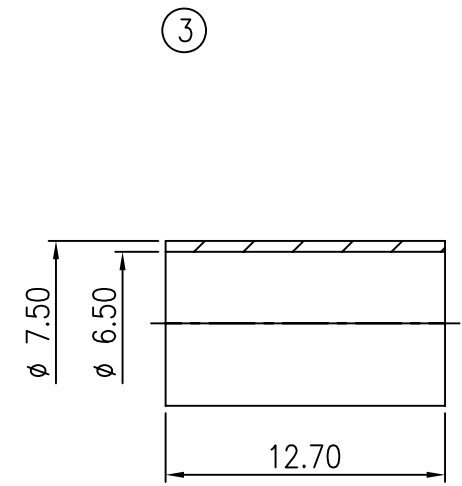
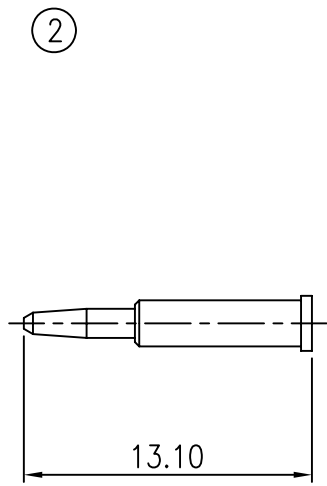
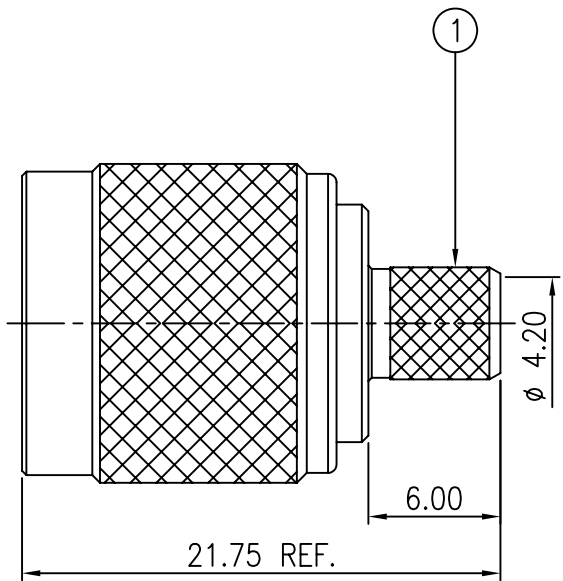
E

D

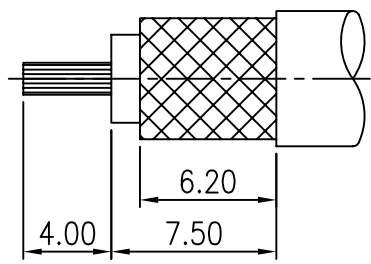
C

B

DO NOT SCALE DRAWING



SCALE 1:2



CABLE STRIPPING DIM.

NO.	QTY	DESCRIPTION	PART'S NO.	MATERIAL	FINISH
3	1	FERRULE	17-132A0-04NA	BRASS	NICKEL PLATED
2	1	PIN	12-131AB-01GC	BRASS	GOLD PLATED
1	1	SPRING WASHER	S12-131AB	STEEL	NICKEL PLATED
	1	RUBBER RING		SILICON RUBBER	NONE
	1	SHELL		BRASS	NICKEL PLATED
	1	INSULATOR		TEFLON	NONE
	1	RING		BRASS	NICKEL PLATED
	1	BODY		BRASS	NICKEL PLATED

GENERAL TOLERANCES
 DIM: .X±0.25(0.01) .XX±0.12(0.005)
 ANGULAR: ±3'

MATERIAL : SEE TABLE
 FINISH : SEE TABLE

ALINER 圓陵工業股份有限公司
 ALINER INDUSTRIES, INC.

DIMENSION CLASSIFICATION
 ■: CRITICAL ☒: MAJOR

DRAWN BY: YVONNE 7/04/2005
 CHK'D BY:
 APP'D BY: SCALE : 3 : 1

TITLE: TNC ST. PLUG FOR LMR-240 CABLE

△	TITLE CHANGE	980505	YV.	5-11-09'
LTR	REVISION RECORD	ECN	DR/CHK	DATE

REVISE ONLY ON CAD SYSTEM

SHEET 1 OF 1 UNIT : mm

DWG. NO.: 12-131AB-B REV B

8 7 6 5 4 3 2 1 93NL39