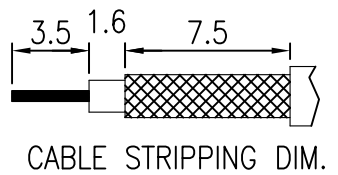
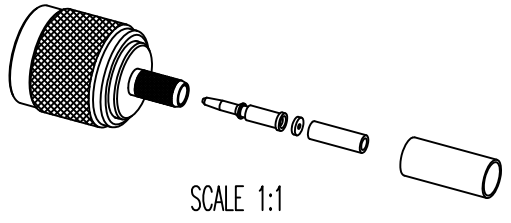
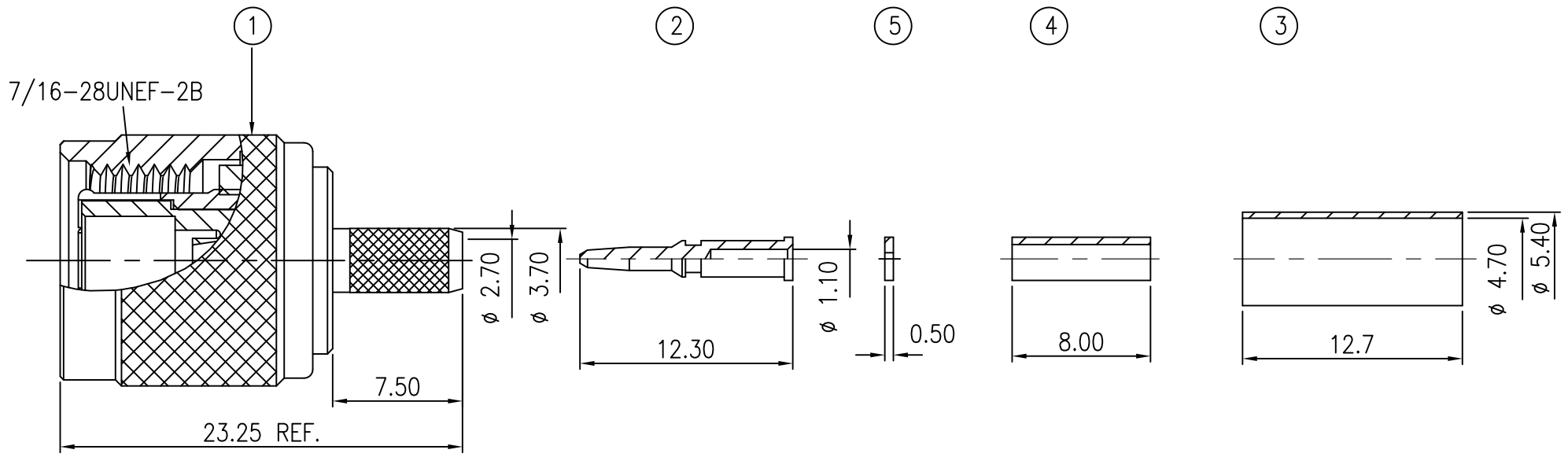


8 7 6 5 4 3 2 1

E
D
C
B
A
DO NOT SCALE DRAWING



5	1	INSULATOR	12-130B0-0300	TEFLON	NONE
4	1	FERRULE	12-130AR-02NA	BRASS	NICKEL PLATED
3	1	FERRULE	12-131CD-01NA	BRASS	NICKEL PLATED
2	1	CONTACT	17-131A0-02GB	BRASS	GOLD PLATED
1	1	SPRING WASHER	S12-131C0	STEEL	NICKEL PLATED
	1	RUBBER RING		SILICON RUBBER	NONE
	1	SHELL		BRASS	NICKEL PLATED
	1	INSULATOR		P.O.M.	NONE
	1	RING		BRASS	NICKEL PLATED
	1	BODY		BRASS	NICKEL PLATED
NO.	QTY	DESCRIPTION	PART'S NO.	MATERIAL	FINISH

GENERAL TOLERANCES
 DIM: .X±0.25(0.01) .XX±0.12(0.005)
 ANGULAR: ±3'

DIMENSION CLASSIFICATION
 ■: CRITICAL ☒: MAJOR

MATERIAL : SEE TABLE
 FINISH : SEE TABLE
 DRAWN BY: YVONNE 8/02/2004
 CHK'D BY: YVONNE 6/27/2008
 APP'D BY :
 SCALE : 3 : 1

ALINER 圓陵工業股份有限公司
 ALINER INDUSTRIES, INC.
 TITLE: TNC ST. PLUG FOR RD-316 CABLE

LTR REVISION RECORD ECN DR/CHK DATE REVISE ONLY ON CAD SYSTEM SHEET 1 OF 1 UNIT : mm DWG. NO.: 12-131CD-B REV A

8 7 6 5 4 3 2 1 12-131CD