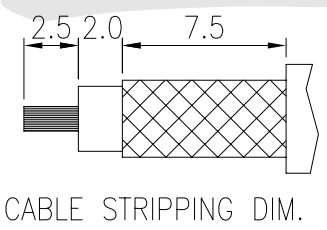
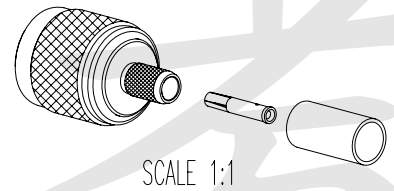
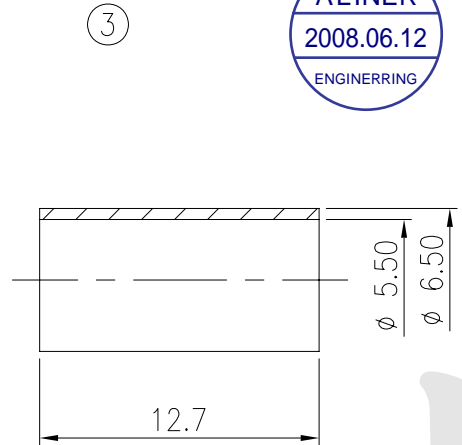
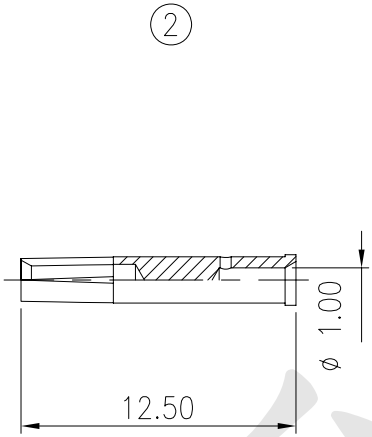
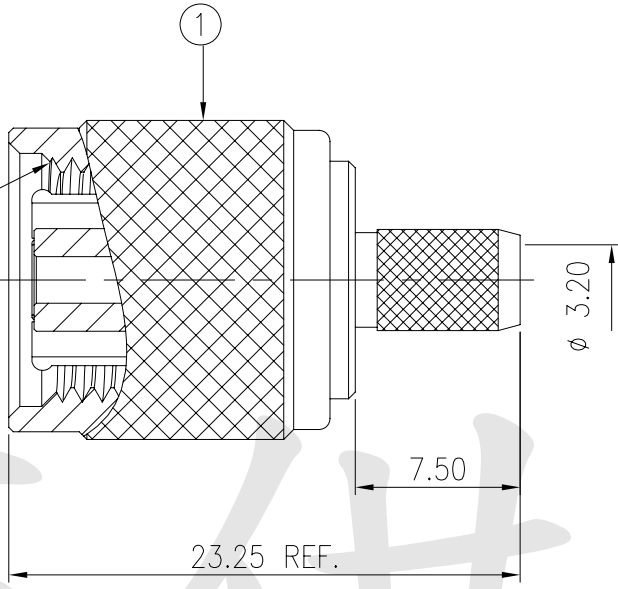




7/16-28 UNEF-2B



NO.	QTY	DESCRIPTION	PART'S NO.	MATERIAL	FINISH
3	1	FERRULE	20-101C0-03NA	BRASS	NICKEL PLATED
2	1	CONTACT	12-131R0-02GD	PHOSPHORUS BRONZE	GOLD PLATED
1	1	GASKET	S12-131R0	SILICON RUBBER	NONE
	1	SPRING WASHER		STEEL	NICKEL PLATED
	1	RING		BRASS	NICKEL PLATED
	1	INSULATOR		TEFLON	NONE
	1	SHELL		BRASS	NICKEL PLATED
	1	BODY		BRASS	NICKEL PLATED

GENERAL TOLERANCES  
 DIM: .X±0.25(0.01) .XX±0.12(0.005)  
 ANGULAR: ±3°

MATERIAL : SEE TABLE

FINISH : SEE TABLE

DIMENSION CLASSIFICATION  
 ■: CRITICAL    ☒: MAJOR

DRAWN BY: YVONNE 1/16/2003    CHK'D BY: YVONNE 6/01/2006

APP'D BY:    SCALE : 3 : 1

**ALINER** 圓陵工業股份有限公司  
 ALINER INDUSTRIES, INC.

TITLE: RP TNC ST. PLUG FOR RG-58 CABLE

SHEET 1 OF 1    UNIT : mm

DWG. NO.: 12-131R0-B    REV A

DO NOT SCALE DRAWING