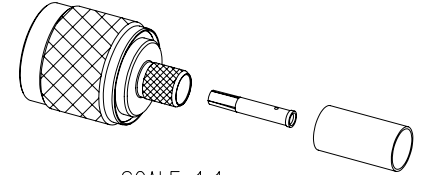
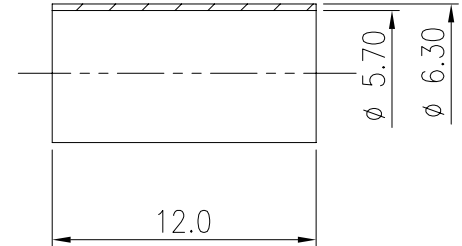
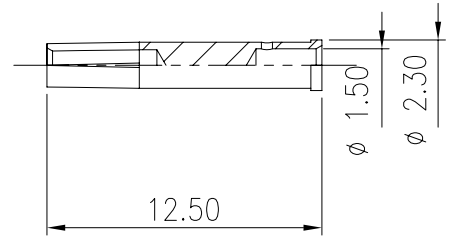
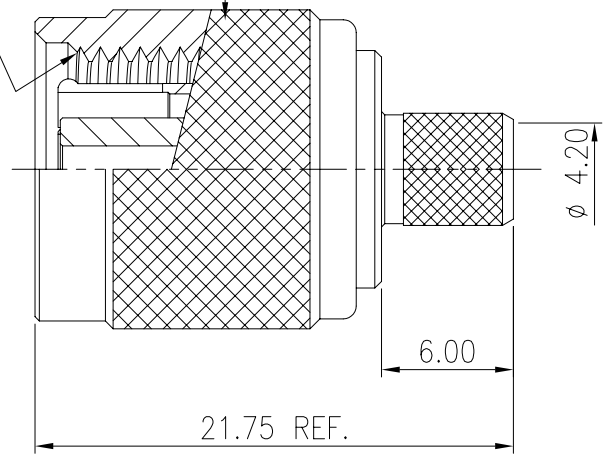


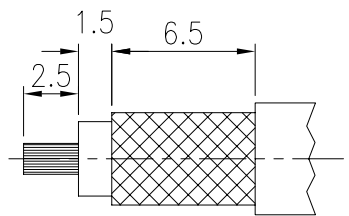
8 7 6 5 4 3 2 1

E (1) (2) (3) E

7/16-28UNEF-2B



SCALE 1:1



CABLE STRIPPED DIM.

3	1	FERRULE	18-130BH-03NA	BRASS	NICKEL PLATED
2	1	CONTACT	12-131RB-02GD	PHOSPHORUS BRONZE	GOLD PLATED
1	1	RING	S12-131RB	BRASS	NICKEL PLATED
	1	SPRING WASHER		STEEL	NICKEL PLATED
	1	RUBBER RING		SILICON RUBBER	NONE
	1	INSULATOR		TEFLON	NONE
	1	SHELL		BRASS	NICKEL PLATED
	1	BODY		BRASS	NICKEL PLATED
NO.	QTY	DESCRIPTION	PART'S NO.	MATERIAL	FINISH

GENERAL TOLERANCES  
 DIM: .X±0.25(0.01) .XX±0.12(0.005)  
 ANGULAR: ±3°

MATERIAL : SEE TABLE

FINISH : SEE TABLE

DIMENSION CLASSIFICATION  
 ■: CRITICAL    ☒: MAJOR



DRAWN BY: YVONNE  
3/20/2006

CHK'D BY:

APP'D BY:

SCALE : 3 : 1

**ALINER** 圓陵工業股份有限公司  
 ALINER INDUSTRIES, INC.

TITLE: RP TNC ST. PLUG FOR BELDEN H155 CABLE

LTR REVISION RECORD ECN DR/CHK DATE

REVISE ONLY ON CAD SYSTEM

SHEET 1 OF 1

UNIT : mm

DWG. NO.: 12-131RB-B

REV A

DO NOT SCALE DRAWING

8 7 6 5 4 3 2 1 12-131RB