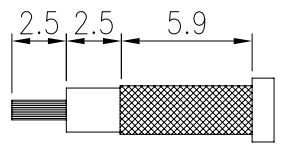
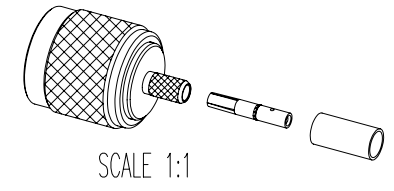
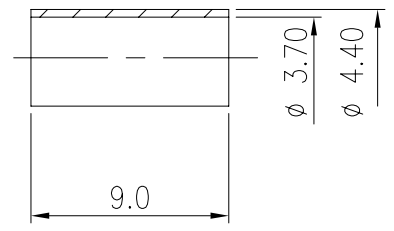
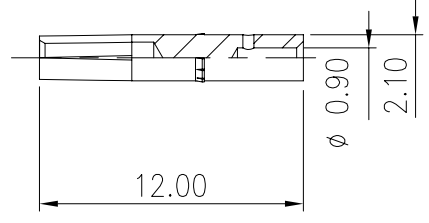
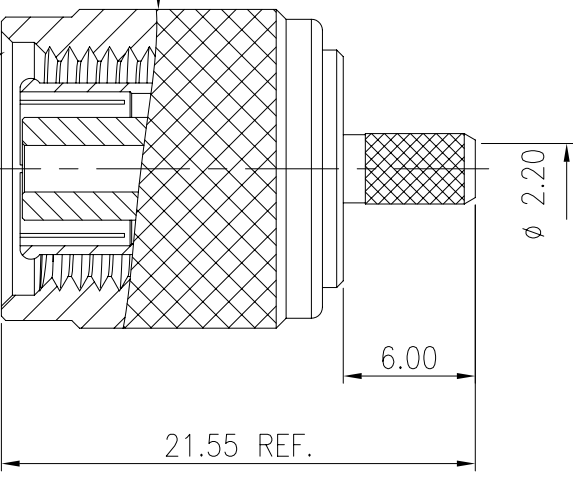


7/16-28 UNEF-2B

①

②

③



CABLE STRIPPING DIM.

NO.	QTY	DESCRIPTION	PART'S NO.	MATERIAL	FINISH
3	1	FERRULE	23-109A0-07NA	BRASS	NICKEL PLATED
2	1	CONTACT	12-131RC-02GD	PHOSPHORUS BRONZE	GOLD PLATED
1	1	GASKET	S12-131RC	SILICON RUBBER	NONE
	1	SPRING WASHER		STEEL	NICKEL PLATED
	1	RING		BRASS	NICKEL PLATED
	1	INSULATOR		TEFLON	NONE
	1	SHELL		BRASS	NICKEL PLATED
	1	BODY		BRASS	NICKEL PLATED

DO NOT SCALE DRAWING					GENERAL TOLERANCES		MATERIAL : SEE TABLE		 圓陵工業股份有限公司 ALINER INDUSTRIES, INC.
					DIM: .X±0.25(0.01) .XX±0.12(0.005)		FINISH : SEE TABLE		
					ANGULAR: ±3°		DRAWN BY: YVONNE 1/16/2003		
					DIMENSION CLASSIFICATION		CHK'D BY: YVONNE 6/01/2006		
				<input checked="" type="checkbox"/> : CRITICAL <input checked="" type="checkbox"/> : MAJOR		APP'D BY :		SCALE : 3 : 1	
				REVISE ONLY ON CAD SYSTEM		SHEET 1 OF 1		TITLE: RP TNC ST. PLUG FOR FILOTEX 296769 CABLE	
LTR	REVISION RECORD	ECN	DR/CHK	DATE	UNIT : mm		DWG. NO.: 12-131RC-B	REV A	
8	7	6	5	4	3	2	12-131RC		