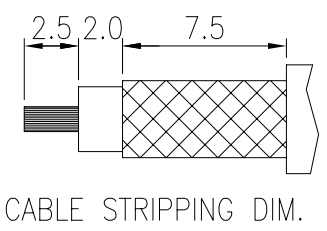
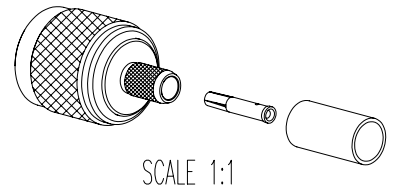
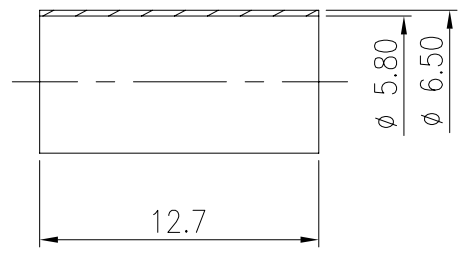
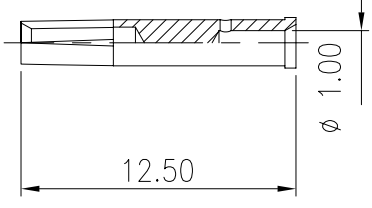
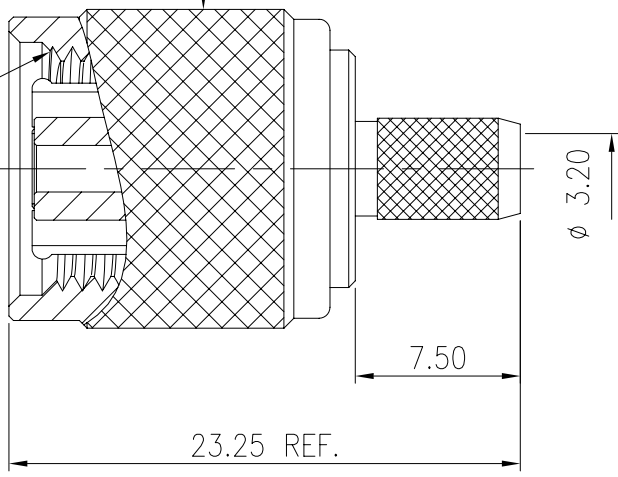


7/16-28 UNEF-2B

①

②

③



NO.	QTY	DESCRIPTION	PART'S NO.	MATERIAL	FINISH
3	1	FERRULE	20-109C0-05NA	BRASS	NICKEL PLATED
2	1	CONTACT	12-131R0-02GD	PHOSPHORUS BRONZE	GOLD PLATED
1	1	GASKET	S12-131R0	SILICON RUBBER	NONE
	1	SPRING WASHER		STEEL	NICKEL PLATED
	1	RING		BRASS	NICKEL PLATED
	1	INSULATOR		TEFLON	NONE
	1	SHELL		BRASS	NICKEL PLATED
	1	BODY		BRASS	NICKEL PLATED

GENERAL TOLERANCES
 DIM: .X±0.25(0.01) .XX±0.12(0.005)
 ANGULAR: ±3°

DIMENSION CLASSIFICATION
 ■: CRITICAL ☒: MAJOR

MATERIAL : SEE TABLE
 FINISH : SEE TABLE

DRAWN BY: YVONNE 1/16/2003 CHK'D BY: YVONNE 6/01/2006
 APP'D BY: SCALE : 3 : 1

ALINER 圓陵工業股份有限公司
 ALINER INDUSTRIES, INC.

TITLE: RP TNC ST. PLUG FOR RG-400 CABLE

LTR	REVISION RECORD	ECN	DR/CHK	DATE
-----	-----------------	-----	--------	------

REVISE ONLY ON CAD SYSTEM

SHEET 1 OF 1 UNIT : mm

DWG. NO.: 12-131RF-B REV A