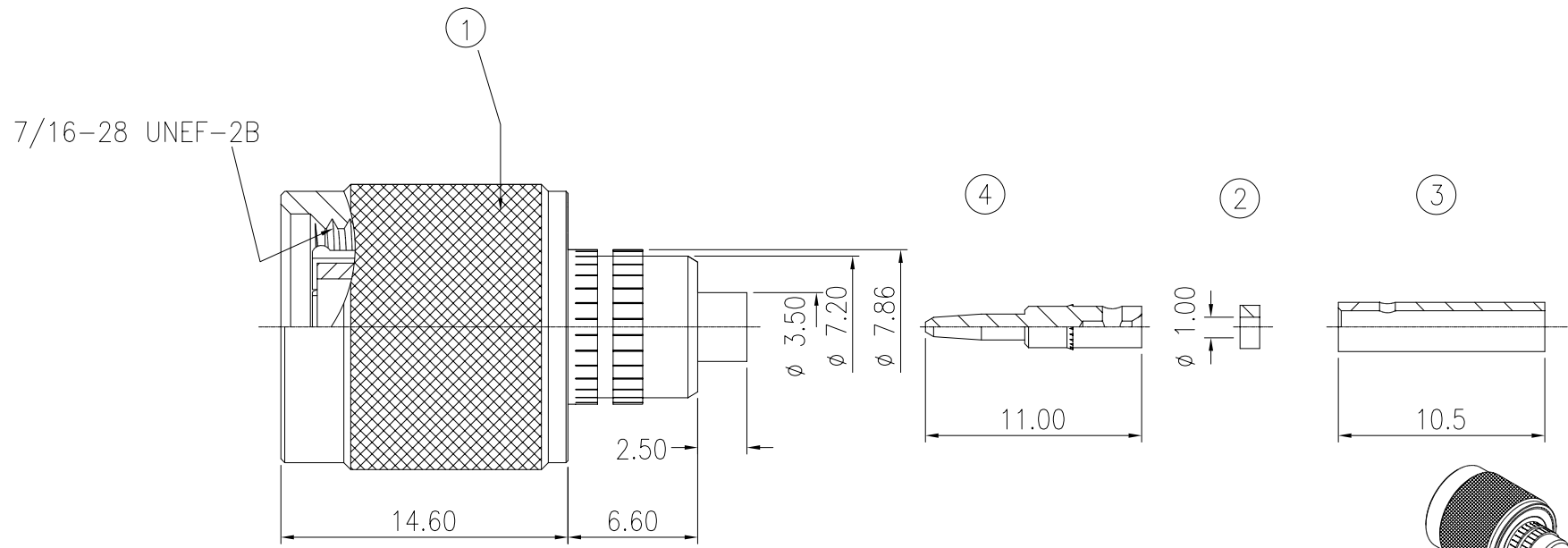
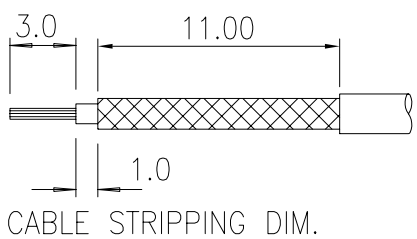


E
D
C
B
A
DO NOT SCALE DRAWING



NOTE:
FUNCTION ROTATABLE AFTER LOCKED.



NO.	QTY	DESCRIPTION	PART'S NO.	MATERIAL	FINISH
4	1	CONTACT	12-132C0-02GD	BRASS	GOLD PLATED
3	1	FERRULE	12-131RG-03TA	BRASS	TIN PLATED
2	1	INSULATOR	12-134R0-0300	TEFLON	NONE
1	1	RING	S12-132C0	BRASS	NICKEL PLATED
	1	SPRING WASHER		STEEL	NICKEL PLATED
	1	SPRING WASHER		STEEL	NICKEL PLATED
	1	SHELL		BRASS	BLACK CHROME
	1	INSULATOR		TEFLON	NONE
	1	WASHER		BRASS	NICKEL PLATED
	1	BODY		BRASS	NICKEL PLATED

GENERAL TOLERANCES
DIM: .X±0.25(0.01) .XX±0.12(0.005)
ANGULAR: ±3°

DIMENSION CLASSIFICATION
■: CRITICAL □: MAJOR

MATERIAL : SEE TABLE
FINISH : SEE TABLE

DRAWN BY: YVONNE 3/08/2005
CHK'D BY:
APP'D BY: SCALE : 3 : 1

ALINER 圓陵工業股份有限公司
ALINER INDUSTRIES, INC.

TITLE: TNC ST. PLUG FOR RG-178 CABLE