

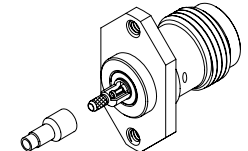
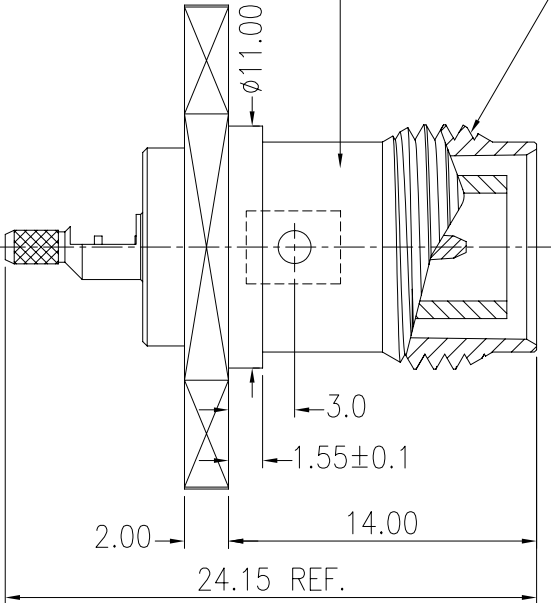
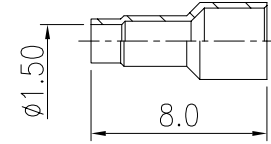
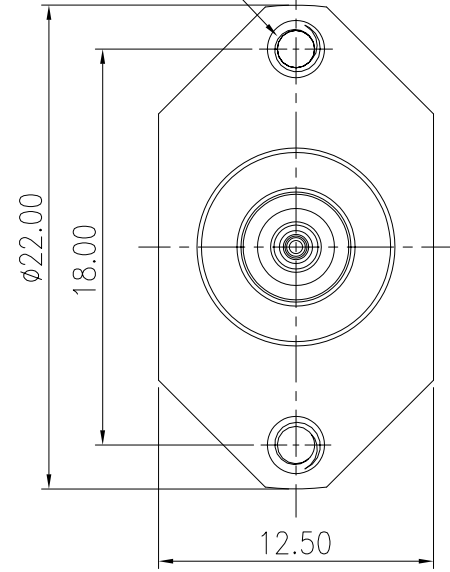
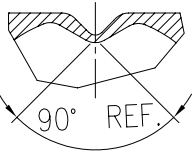
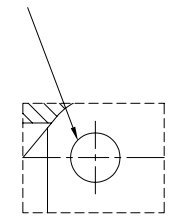
2-2#-56UNC-2B

②

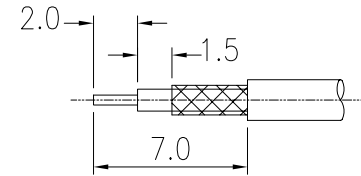
①

7/16-28UNEF-2A

ø1.5 DEEP 1.5 REF.
TORQUE 0.3kg-cm min.
STAKE 1 PLS



SCALE 1:1



CABLE STRIPPING DIM.

2	1	FERRULE	20-130AB-03NA	BRASS	NICKEL PLATED
1	1	BODY	S12-142R0	BRASS	NICKEL PLATED
	1	RING		BRASS	NICKEL PLATED
	1	INSULATOR		TEFLON	NONE
	1	CONTACT		BRASS	GOLD PLATED
	1	BODY		BRASS	NICKEL PLATED
NO.	QTY	DESCRIPTION	PART'S NO.	MATERIAL	FINISH

GENERAL TOLERANCES
DIM: .X±0.25(0.01) .XX±0.12(0.005)
ANGULAR: ±3°

DIMENSION CLASSIFICATION
■: CRITICAL □: MAJOR

MATERIAL : SEE TABLE

FINISH : SEE TABLE

DRAWN BY: EUGENE 11/27/2006

CHK'D BY:

APP'D BY:

SCALE : 3 : 1

SHEET 1 OF 1

UNIT : mm

ALINER 圓陵工業股份有限公司
ALINER INDUSTRIES, INC.

TITLE: RP TNC JACK FOR ø 1.37 CABLE

DWG. NO.: 12-142R0-B

REV A

DO NOT SCALE DRAWING

LTR REVISION RECORD ECN DR/CHK DATE

REVISE ONLY ON CAD SYSTEM

SHEET 1 OF 1 UNIT : mm

DWG. NO.: 12-142R0-B

REV A