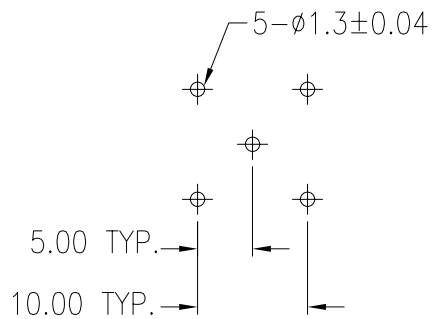
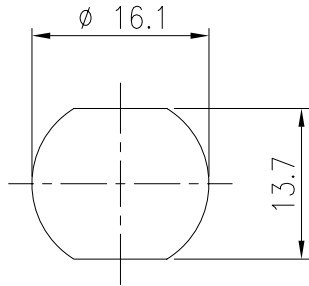
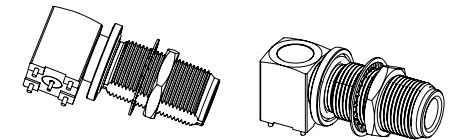
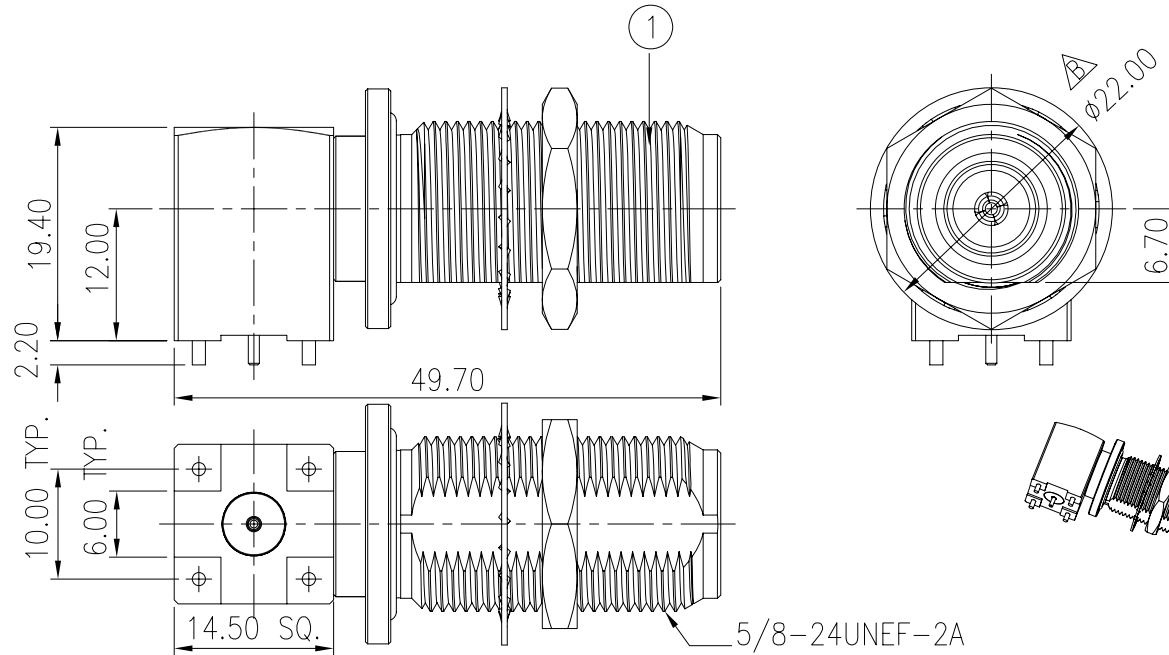


Aliner  
2007.07.30  
工程部



MOUNTING HOLE PATTERN



SCALE 1:2

NO.	QTY	DESCRIPTION	PART'S NO.	MATERIAL	FINISH
1	1	TRAY	S18-108A0	NONE	NONE
1	1	NUT		BRASS	NICKEL PLATED
1	1	WASHER		BRASS	NICKEL PLATED
1	1	RING		BRASS	NICKEL PLATED
1	1	COVER		BRASS	NICKEL PLATED
1	1	INSULATOR		TEFLON	NONE
1	1	CONTACT		BRASS	GOLD PLATED
1	1	O-RING		SILICON RUBBER	NONE
1	1	INSULATOR		TEFLON	NONE
1	1	BODY		BRASS	TIN PLATED
1	1	CONTACT		PHOSPHORUS BRONZE	GOLD PLATED
1	1	BODY		BRASS	NICKEL PLATED

DO NOT SCALE DRAWING

GENERAL TOLERANCES  
DIM: .X±0.25(0.01) .XX±0.12(0.005)  
ANGULAR: ±3°

DIMENSION CLASSIFICATION  
■: CRITICAL □: MAJOR

MATERIAL : SEE TABLE

FINISH : SEE TABLE

DRAWN BY: YVONNE  
11/16/2005

CHK'D BY:

APP'D BY :

SCALE : 1.5 : 1

SHEET 1 OF 1

UNIT : mm

**ALINER** 圓陵工業股份有限公司  
ALINER INDUSTRIES, INC.

TITLE: TYPE N R/A BUKKHEAD JACK  
FOR P.C.B. MOUNT

DWG. NO.: 18-108A0-T

REV  
B

WASHER CHANGE 960714 YV. 7-26-07  
LTR REVISION RECORD ECN DR/CHK DATE

REVISE ONLY ON CAD SYSTEM