

8 7 6 5 4 3 2 1

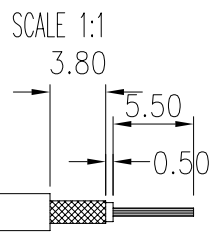
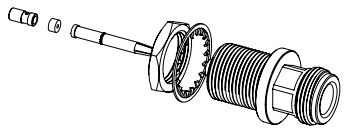
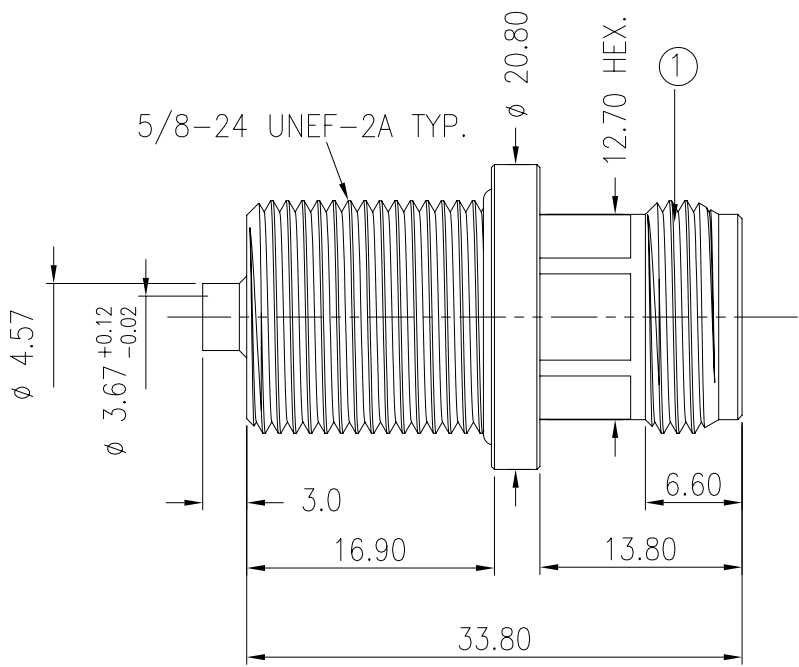
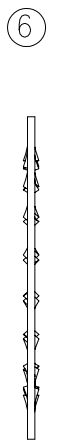
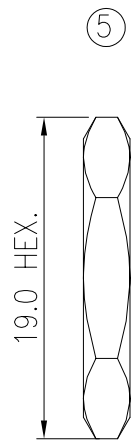
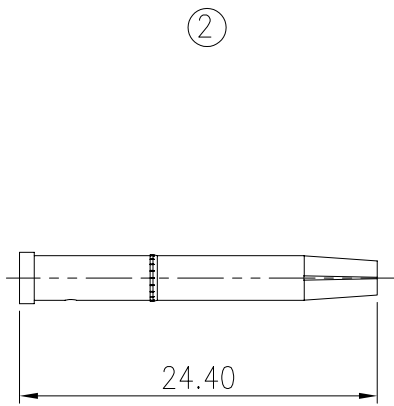
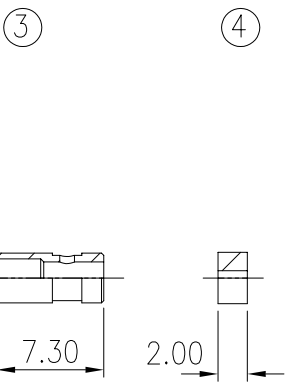
E E

D D

C C

B B

DO NOT SCALE DRAWING



CABLE STRIPPED DIM.

NO.	QTY	DESCRIPTION	PART'S NO.	MATERIAL	FINISH
6	1	WASHER	18-234GA-01NA	BRASS	NICKEL PLATED
5	1	NUT	18-015B0-04NA	BRASS	NICKEL PLATED
4	1	INSULATOR	18-234GH-0400	TEFLON	NONE
3	1	FERRULE	18-234GG-01GB	BRASS	NICKEL PLATED
2	1	CONTACT	18-234GH-02GD	PHOSPHORUS BRONZE	GOLD PLATED
1	1	GASKET	S18-234GH	SILICON RUBBER	NONE
	1	INSULATOR		TEFLON	NONE
	1	BODY		BRASS	TIN PLATED
	1	BODY		BRASS	NICKEL PLATED
NO.	QTY	DESCRIPTION	PART'S NO.	MATERIAL	FINISH

GENERAL TOLERANCES  
 DIM: .X±0.25(0.01) .XX±0.12(0.005)  
 ANGULAR: ±3°

DIMENSION CLASSIFICATION  
 ■: CRITICAL ☒: MAJOR

MATERIAL : SEE TABLE

FINISH : SEE TABLE

DRAWN BY: YVONNE  
7/20/2007

CHK'D BY:

APP'D BY:

SCALE : 2 : 1

SHEET 1 OF 1

UNIT : mm

**ALINER** 圓陵工業股份有限公司  
 ALINER INDUSTRIES, INC.

TITLE: TYPE N BULKHEAD JACK FOR  
 RG-174 / RG-316 CABLE

DWG. NO.: 18-234GH-V

REV  
A

8 7 6 5 4 3 2 1