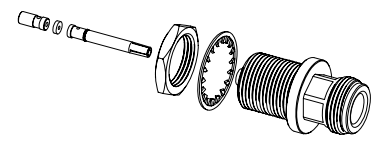
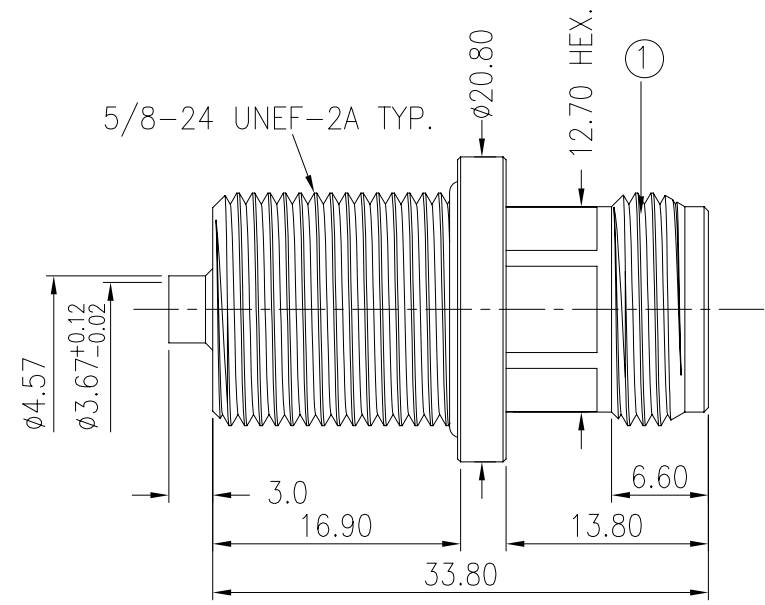
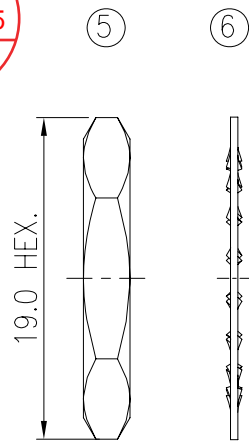
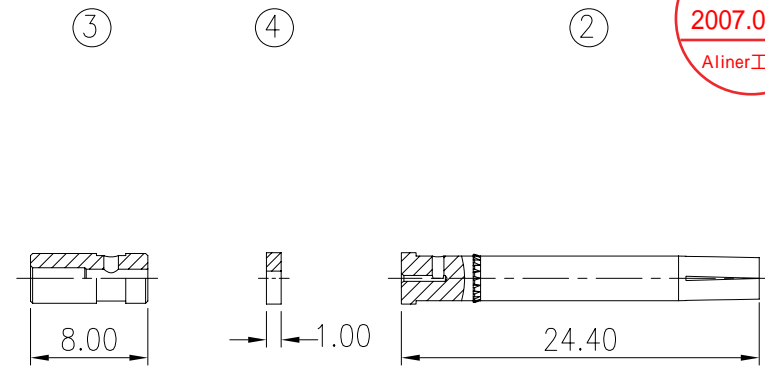


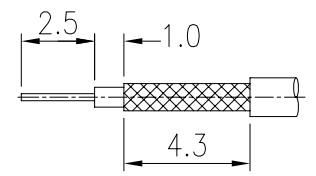
8 7 6 5 4 3 2 1

E E

工程部
2007.08.15
Aliner工程部



SCALE 1:2



CABLE STRIPPED DIM. 4:1

7	1/50	TRAY	01272236	PS	NONE
6	1	WASHER	18-234GA-01NA	BRASS	NICKEL PLATED
5	1	NUT	18-015B0-04NA	BRASS	NICKEL PLATED
4	1	INSULATOR	18-234G1-0300	TEFLON	NONE
3	1	FERRULE	18-234GB-04GB	BRASS	NICKEL PLATED
2	1	CONTACT	18-234GK-01GD	PHOSPHORUS BRONZE	GOLD PLATED
1	1	GASKET	S18-234GH	SILICON RUBBER	NONE
	1	INSULATOR		TEFLON	NONE
	1	BODY		BRASS	TIN PLATED
	1	BODY		BRASS	NICKEL PLATED
NO.	QTY	DESCRIPTION	PART'S NO.	MATERIAL	FINISH

DO NOT SCALE DRAWING

GENERAL TOLERANCES
DIM: .X±0.25(0.01) .XX±0.12(0.005)
ANGULAR: ±3°

DIMENSION CLASSIFICATION
■: CRITICAL □: MAJOR



MATERIAL : SEE TABLE
FINISH : SEE TABLE

DRAWN BY: EUGENE 8/14/2007
CHK'D BY:
APP'D BY:
SCALE : 2 : 1

ALINER 圓陵工業股份有限公司
ALINER INDUSTRIES, INC.

TITLE: TYPE N BULKHEAD JACK FOR Ø1.32 CABLE

LTR REVISION RECORD ECN DR/CHK DATE

REVISE ONLY ON CAD SYSTEM

SHEET 1 OF 1 UNIT : mm

DWG. NO.: 18-234GK-T REV A

8 7 6 5 4 3 2 1

A A