

8 7 6 5 4 3 2 1

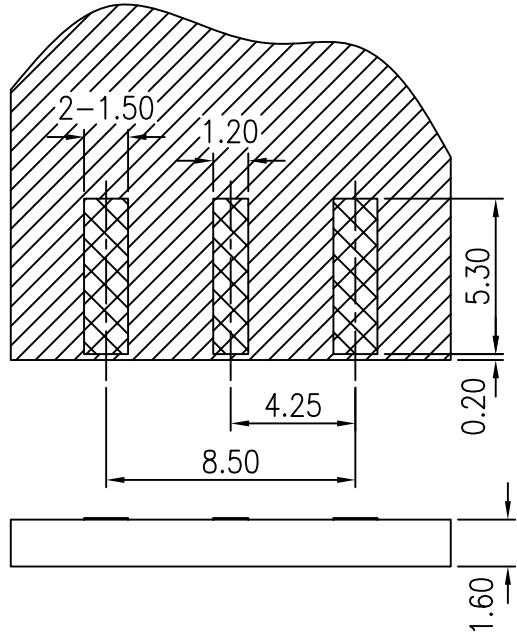
E

D

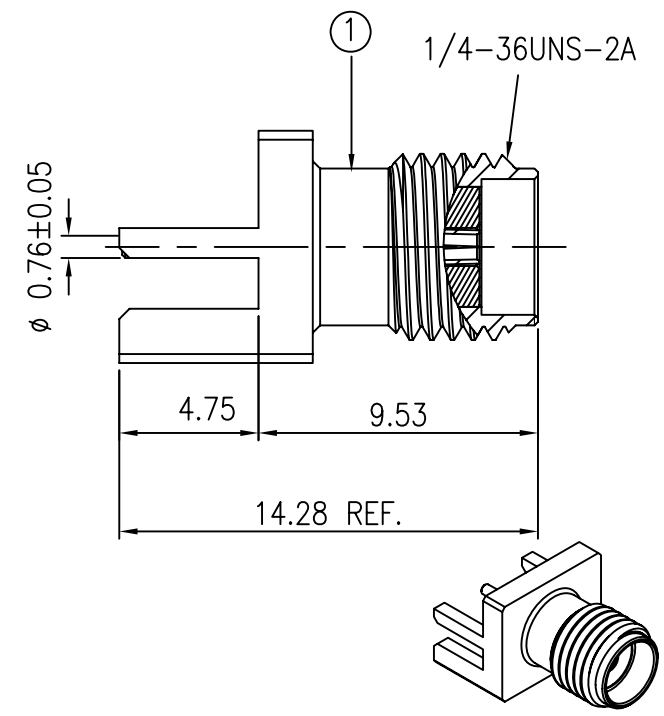
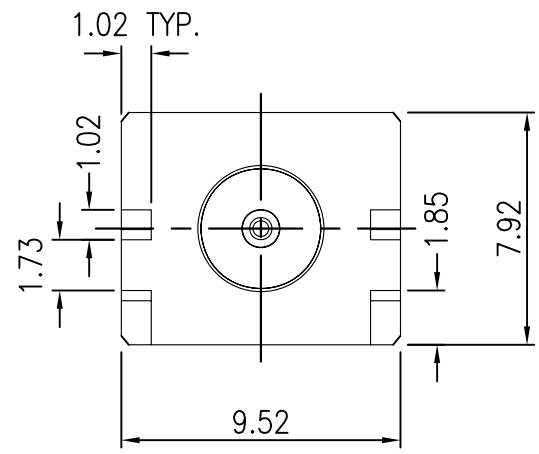
C

B

DO NOT SCALE DRAWING



PATTERN
 LAND FOR SOLDER PASTE
 P.C.B. LAYOUT DIM.



SCALE 2:1

1	1/50	TRAY	01272218	NONE	NONE
1	1	INSULATOR	S20-001D0	TEFLON	NONE
	1	CONTACT		BERYLLIUM COPPER	GOLD PLATED
	1	BODY		BRASS	GOLD PLATED
NO.	QTY	DESCRIPTION	PART'S NO.	MATERIAL	FINISH

GENERAL TOLERANCES
 DIM: .X±0.25(0.01) .XX±0.12(0.005)
 ANGULAR: ±3°

MATERIAL : SEE TABLE
 FINISH : SEE TABLE

DIMENSION CLASSIFICATION
 ■: CRITICAL ☒: MAJOR

DRAWN BY: JAY 2007/2/13
 APP'D BY: _____

CHK'D BY: _____
 SCALE : 4 : 1

SHEET 1 OF 1
 UNIT : mm

圓陵工業股份有限公司
 ALINER INDUSTRIES, INC.

TITLE: SMA ST. JACK FOR EDGE MOUNT

DWG. NO.: 20-001D0-T
 REV B

△	3D CHANGE	960303	JAY	3-2-07
LTR	REVISION RECORD	ECN	DR/CHK	DATE

REVISE ONLY ON CAD SYSTEM

8 7 6 5 4 3 2 1 20-001D