

8 7 6 5 4 3 2 1

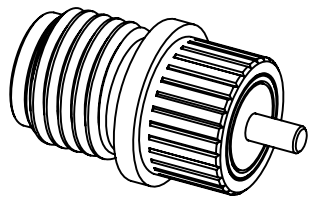
E

D

C

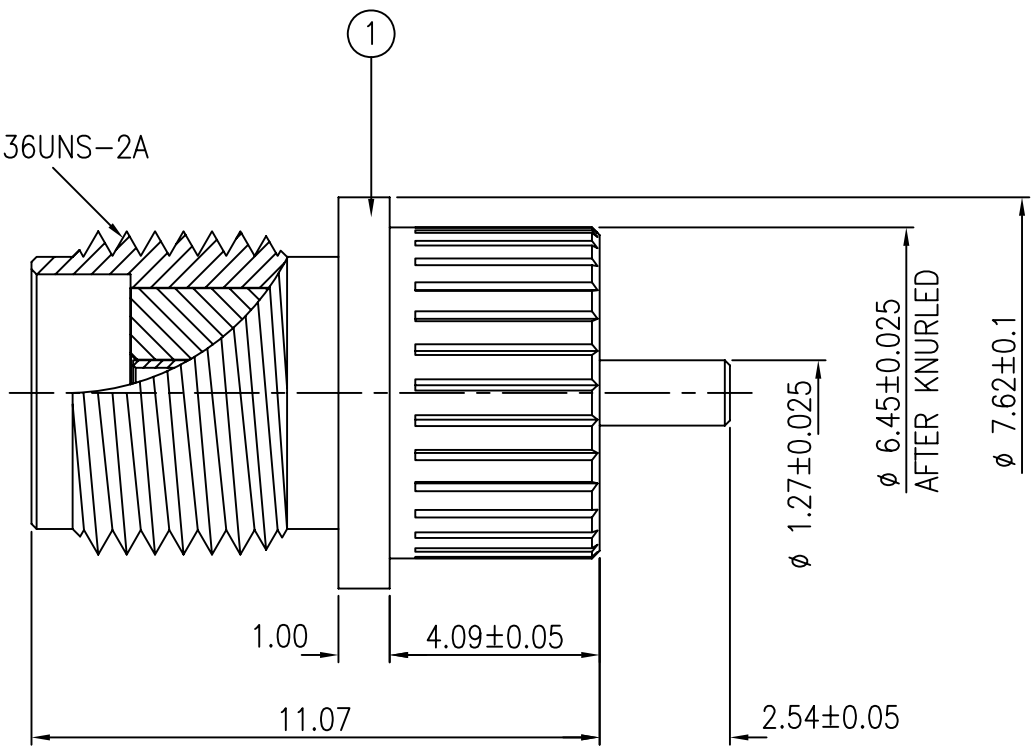
B

DO NOT SCALE DRAWING



SCALE 3:1

1/4-36UNS-2A



NO.	QTY	DESCRIPTION	PART'S NO.	MATERIAL	FINISH
1	1	BODY	S20-104A0	BRASS	NICKEL PLATING
1	1	CONTACT		BERYLLIUM COPPER	GOLD PLATING
1	1	INSULATOR		PTFE	NONE
1	1	RING		BRASS	NICKEL PLATING

GENERAL TOLERANCES  
 DIM: .X±0.25(0.01) .XX±0.12(0.005)  
 ANGULAR: ±3'

MATERIAL : SEE TABLE  
 FINISH : SEE TABLE

**ALINER** 圓陵工業股份有限公司  
 ALINER INDUSTRIES, INC.

DIMENSION CLASSIFICATION  
 ■: CRITICAL    ☒: MAJOR



DRAWN BY: JAY 2/23/2006    CHK'D BY: PAPER 10/01/2007  
 APP'D BY:    SCALE : 7 : 1

TITLE: SMA JACK PRESS FIT

LTR	REVISION RECORD	ECN	DR/CHK	DATE	REVISE ONLY ON CAD SYSTEM	SHEET 1 OF 1	UNIT : mm	DWG. NO.: 20-104A0-B	REV A
-----	-----------------	-----	--------	------	---------------------------	--------------	-----------	----------------------	-------

8 7 6 5 4 3 2 1 20-104A