

8 7 6 5 4 3 2 1

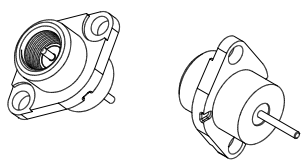
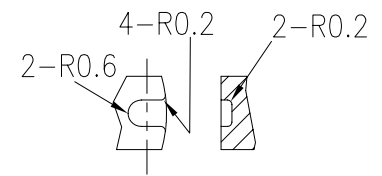
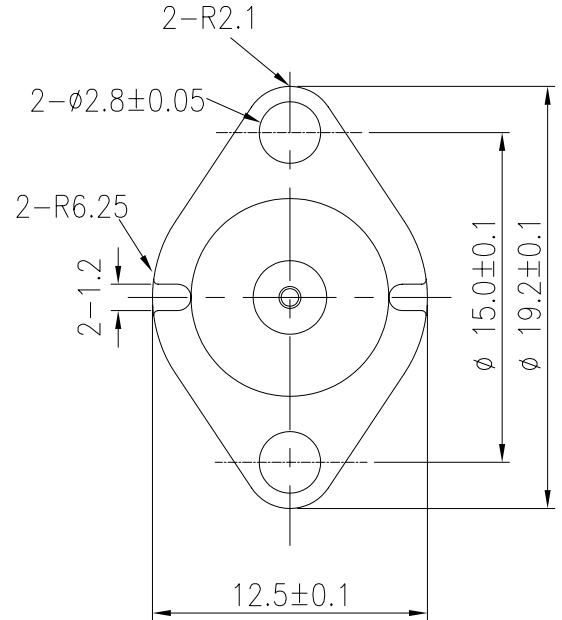
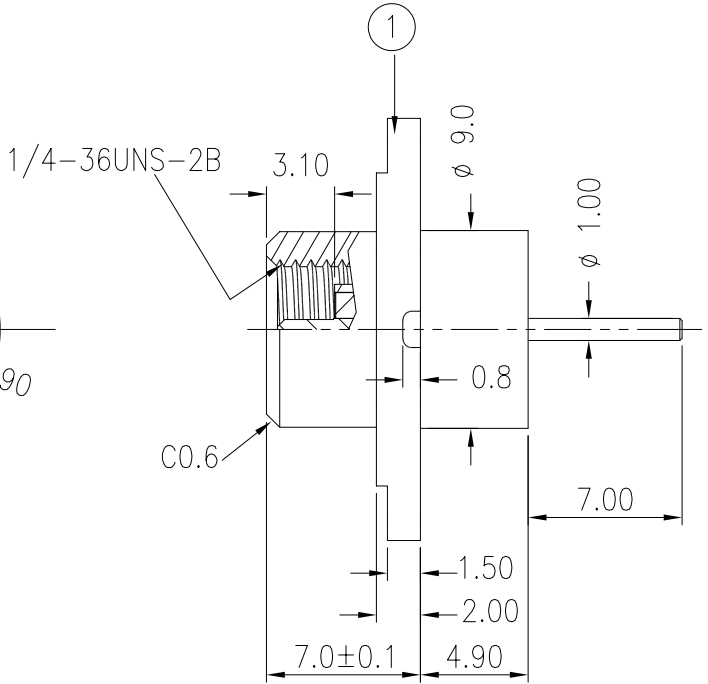
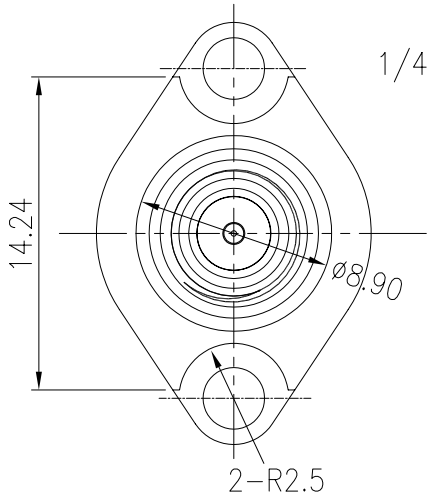
E

D

C

B

DO NOT SCALE DRAWING



SCALE 1:1

1	1	TRAY	S20-202D0	PET	NONE
	1	CONTACT		BRASS	$\triangle/B$ GOLD PLATED
	1	SHELL SUB ASS'Y		SEE. DWG	SEE. DWG
NO.	QTY	DESCRIPTION	PART'S NO.	MATERIAL	FINISH

GENERAL TOLERANCES  
 DIM: .X±0.25(0.01) .XX±0.12(0.005)  
 ANGULAR: ±3°

MATERIAL : SEE TABLE

FINISH : SEE TABLE

DIMENSION CLASSIFICATION  
 ■: CRITICAL    ☒: MAJOR



DRAWN BY: YVONNE  
 9/15/2005

CHK'D BY:

APP'D BY:

SCALE : 3 : 1

SHEET 1 OF 1

UNIT : mm

**ALINER** 圓陵工業股份有限公司  
 ALINER INDUSTRIES, INC.

TITLE: SMA CONNECTOR

DWG. NO.: 20-202D0-T (E04-0416-05)

REV B

8 7 6 5 4 3 2 1 20-202D