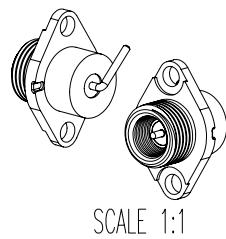
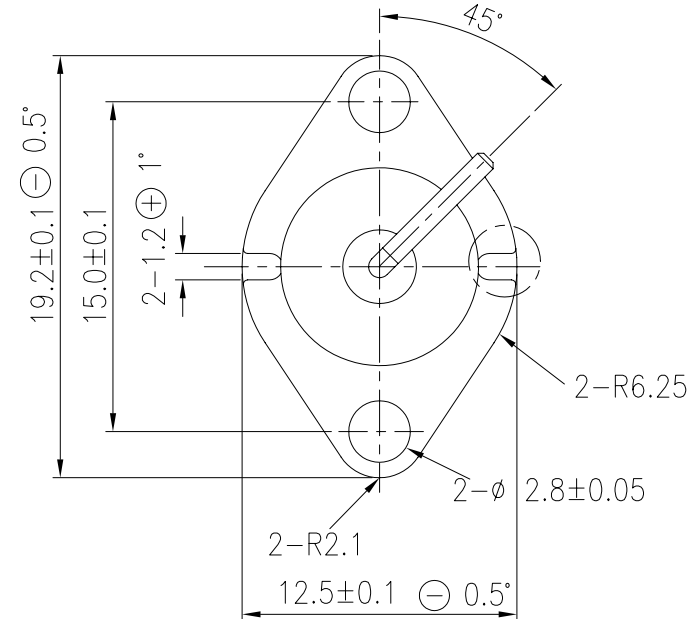
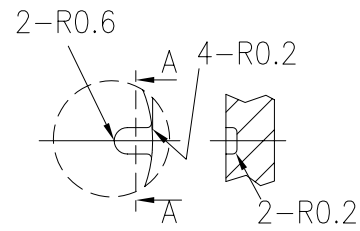
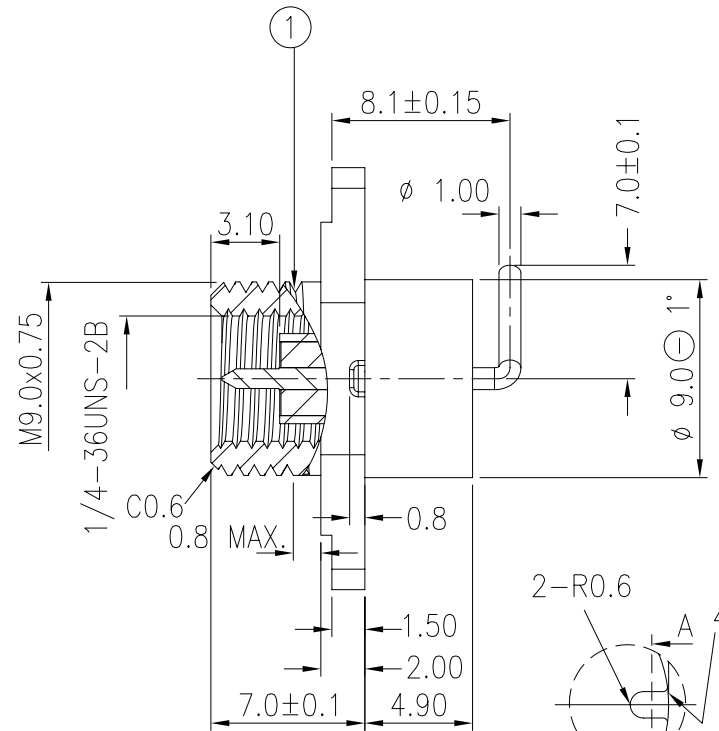
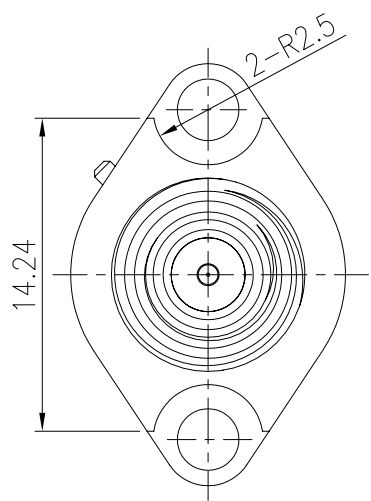


8 7 6 5 4 3 2 1

E  
D  
C  
B  
A



2	1/50	TRAY	01272218	NONE	NONE
1	1	CONTACT	S20-203D0	BRASS	GOLD PLATED
	1	INSULATOR		TEFLON	NONE
	1	HOLDER		BRASS	NICKEL PLATED
	1	SHELL		ZDC 2	NICKEL PLATED
NO.	QT'Y	DESCRIPTION	PART'S NO.	MATERIAL	FINISH

GENERAL TOLERANCES  
 DIM: .X±0.25(0.01) .XX±0.12(0.005)  
 ANGULAR: ±3°

DIMENSION CLASSIFICATION  
 ■: CRITICAL    ☒: MAJOR

MATERIAL : SEE TABLE

FINISH : SEE TABLE

DRAWN BY: MAGGIE 03/13/98    CHK'D BY: YVONNE 5/10/2006

APP'D BY :    SCALE : 3 : 1

SHEET 1 OF 1    UNIT : mm

**ALINER** 圓陵工業股份有限公司  
 ALINER INDUSTRIES, INC.

TITLE: SMA CONNECTOR

DWG. NO.: 20-203D0-T (E04-0413-05)    REV A

DO NOT SCALE DRAWING

LTR	REVISION RECORD	ECN	DR/CHK	DATE
-----	-----------------	-----	--------	------

REVISE ONLY ON CAD SYSTEM

8 7 6 5 4 3 2 1 20-203D