

8 7 6 5 4 3 2 1

E

D

C

B

DO NOT SCALE DRAWING

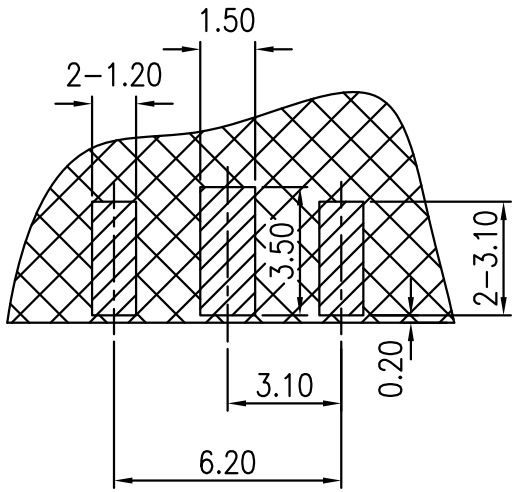
E

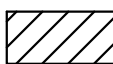
D

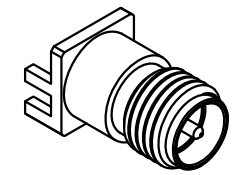
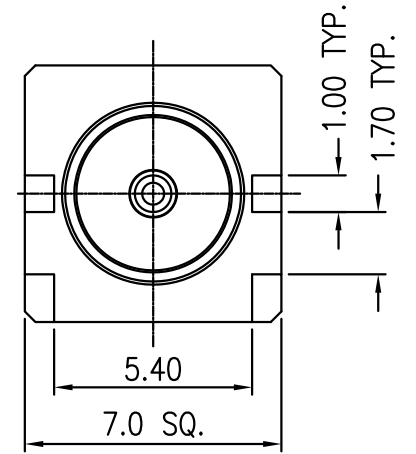
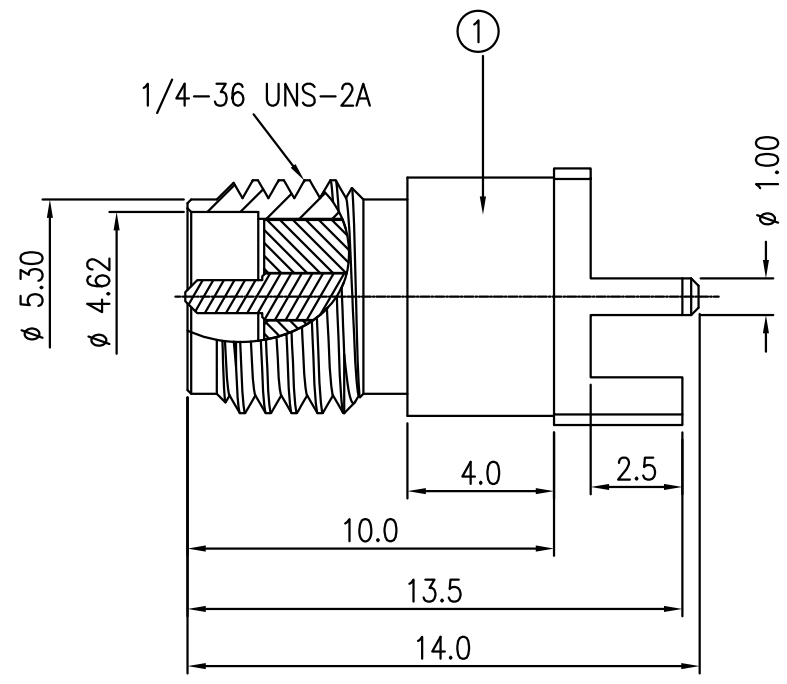
C

B

A



 LAND FOR SOLDER PASTE
P.C.B. LAYOUT DIM.



SCALE 2:1

2	1/50	TRAY	01272218	PET	NONE
1	1	RING	S20-402A0	BRASS	GOLD PLATED
	1	INSULATOR		TEFLON	NONE
	1	CONTACT		BRASS	GOLD PLATED
	1	BODY		BRASS	GOLD PLATED
NO.	QT'Y	DESCRIPTION	PART'S NO.	MATERIAL	FINISH

GENERAL TOLERANCES
DIM: .X±0.25(0.01) .XX±0.12(0.005)
ANGULAR: ±3'

MATERIAL : SEE TABLE
FINISH : SEE TABLE

DIMENSION CLASSIFICATION
■: CRITICAL ☒: MAJOR



DRAWN BY: YVONNE 8/19/2010
APP'D BY:

CHK'D BY:
SCALE : 5 : 1

 圓陵工業股份有限公司
ALINER INDUSTRIES, INC.

TITLE: RP SMA ST. JACK FOR EDGE MOUNT

LTR	REVISION RECORD	ECN	DR/CHK	DATE	REVISE ONLY ON CAD SYSTEM	SHEET 1 OF 1	UNIT : mm	DWG. NO.: 20-402A0-T	REV A
-----	-----------------	-----	--------	------	---------------------------	--------------	-----------	----------------------	-------

8 7 6 5 4 3 2 1 20-402A