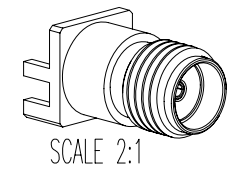
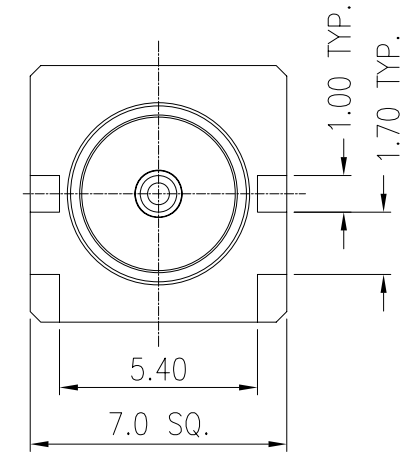
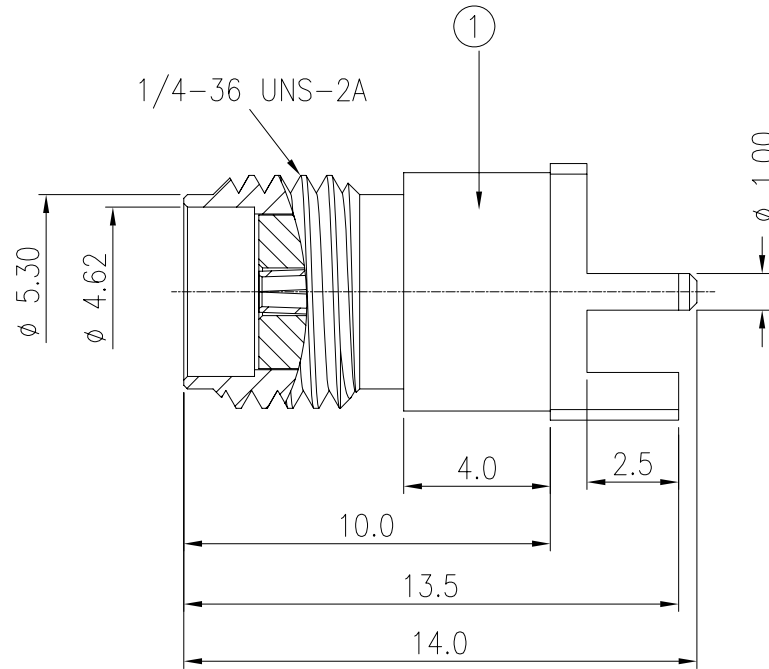


P.C.B. LAYOUT DIM.



SCALE 2:1

NO.	QTY	DESCRIPTION	PART'S NO.	MATERIAL	FINISH
1	1	RING	S20-402D0	BRASS	GOLD PLATED
	1	INSULATOR		TEFLON	NONE
	1	CONTACT		BERYLLIUM COPPER	GOLD PLATED
	1	BODY		BRASS	GOLD PLATED

GENERAL TOLERANCES  
 DIM: .X±0.25(0.01) .XX±0.12(0.005)  
 ANGULAR: ±3°

DIMENSION CLASSIFICATION  
 ■: CRITICAL ☒: MAJOR



MATERIAL : SEE TABLE

FINISH : SEE TABLE

DRAWN BY: AZ. 4/16/1988

CHK'D BY: YVONNE 7/07/2006

APP'D BY :

SCALE : 5 : 1

SHEET 1 OF 1

UNIT : mm

**ALINER** 圓陵工業股份有限公司  
 ALINER INDUSTRIES, INC.

TITLE: SMA ST. JACK FOR EDGE MOUNT

DWG. NO.: 20-402D0-B

REV A

DO NOT SCALE DRAWING

LTR REVISION RECORD ECN DR/CHK DATE

REVISE ONLY ON CAD SYSTEM

SHEET 1 OF 1

UNIT : mm

DWG. NO.: 20-402D0-B

REV A

8

7

6

5

4

3

2

1

E

E

D

D

C

C

B

B

DO NOT SCALE DRAWING

8

7

6

5

4

3

2

20-402D