

8 7 6 5 4 3 2 1

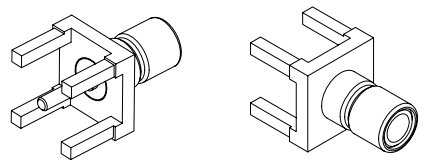
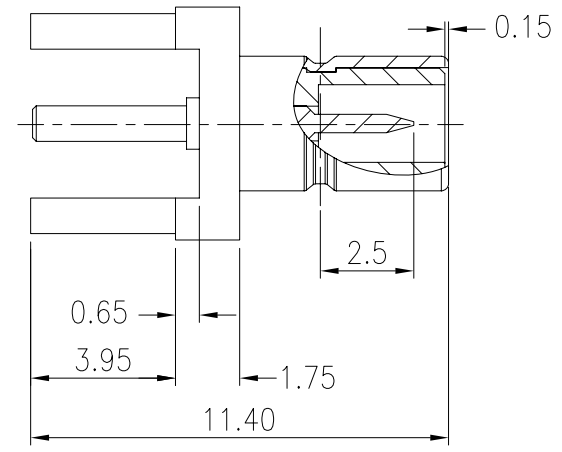
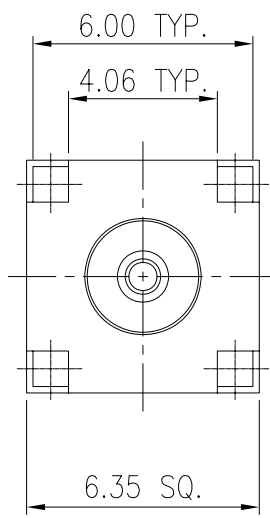
E

D

C

B

DO NOT SCALE DRAWING



SCALE 2:1

3	1	CONTACT	S21-002A0	BRASS	GOLD PLATED
2	1	INSULATOR		TEFLON	NONE
1	1	BODY		BRASS	NICKEL PLATED
NO.	QTY	DESCRIPTION	PART'S NO.	MATERIAL	FINISH

GENERAL TOLERANCES
 DIM: .X±0.25(0.01) .XX±0.12(0.005)
 ANGULAR: ±3°

DIMENSION CLASSIFICATION
 ■: CRITICAL ☒: MAJOR



MATERIAL : SEE TABLE
 FINISH : SEE TABLE
 DRAWN BY: CHERNG 4/23/1999
 CHK'D BY: YVONNE 3/12/2008
 APP'D BY :
 SCALE : 5 : 1
 SHEET 1 OF 1
 UNIT : mm

ALINER 圓陵工業股份有限公司
 ALINER INDUSTRIES, INC.
 TITLE: 50 OHM SMB ST. JACK FOR P.C.B. MOUNT
 DWG. NO.: 21-002A0-B
 REV A

LTR	REVISION RECORD	ECN	DR/CHK	DATE	REVISE ONLY ON CAD SYSTEM	SHEET 1 OF 1	UNIT : mm	DWG. NO.: 21-002A0-B	REV A
-----	-----------------	-----	--------	------	---------------------------	--------------	-----------	----------------------	-------

8 7 6 5 4 3 2 1