

8 7 6 5 4 3 2 1

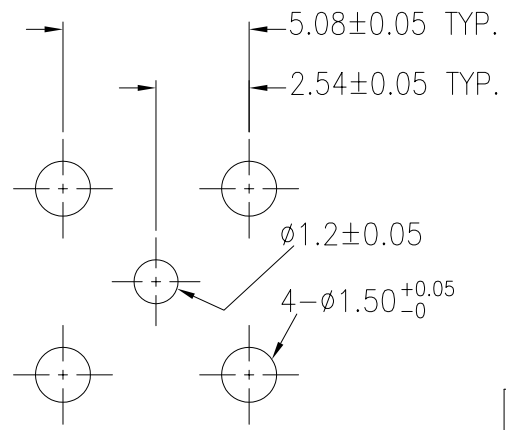
E

D

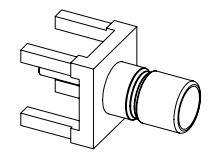
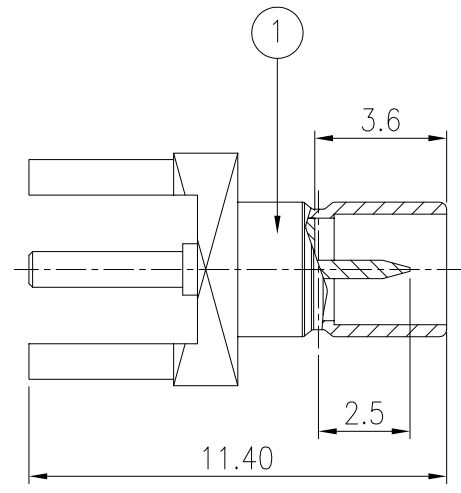
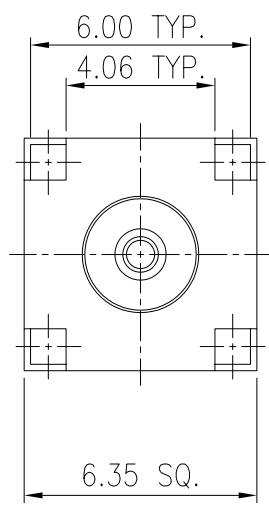
C

B

DO NOT SCALE DRAWING



RECOMMENDED P.C.B. LAYOUT



SCALE 2:1

NO.	QTY	DESCRIPTION	PART'S NO.	MATERIAL	FINISH
1	1	CONTACT	S21-002C0	BRASS	GOLD PLATED
1	1	INSULATOR		TEFLON	NONE
1	1	BODY		BRASS	GOLD PLATED

GENERAL TOLERANCES
 DIM: .X±0.25(0.01) .XX±0.12(0.005)
 ANGULAR: ±3°

DIMENSION CLASSIFICATION
 ■: CRITICAL ☒: MAJOR



MATERIAL : SEE TABLE
 FINISH : SEE TABLE
 DRAWN BY: YVONNE 01/16/2003
 CHK'D BY: EUGENE 7/23/2007
 APP'D BY :
 SCALE : 5 : 1
 SHEET 1 OF 1
 UNIT : mm

ALINER 圓陵工業股份有限公司
 ALINER INDUSTRIES, INC.

TITLE: 75 OHM SMB ST. JACK FOR P.C.B. MOUNT

DWG. NO.: 21-002C0-B REV A

8 7 6 5 4 3 2 1 21-002C