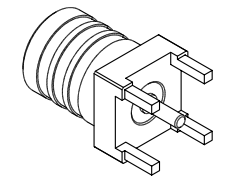
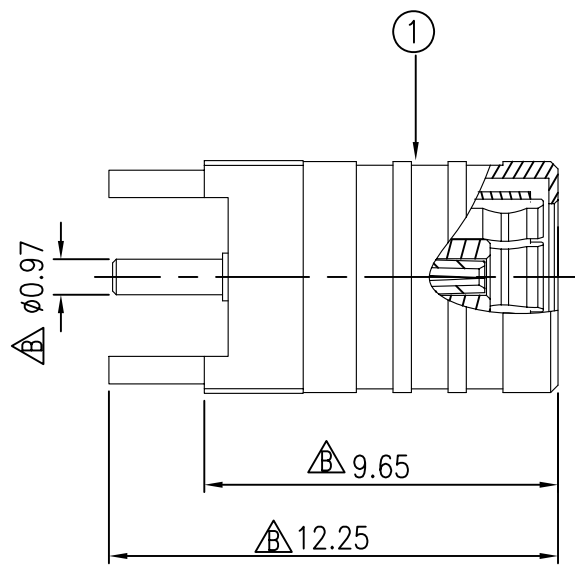
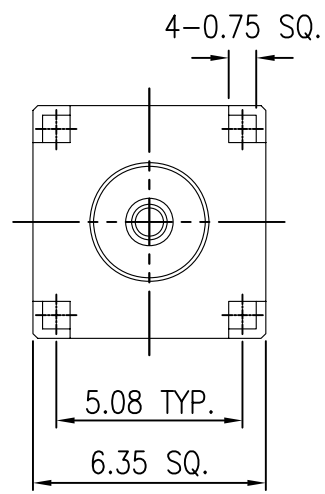
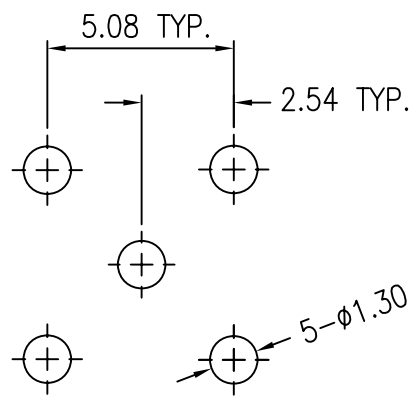


8 7 6 5 4 3 2 1

E
D
C
B
A
DO NOT SCALE DRAWING



SCALE 2:1



Δ RECOMMENDED P.C.B HOLE LAYOUT
(TOLERANCE: ± 0.05)

1	1	SLEEVE	S21-003B0	BRASS	GOLD PLATED
	1	RETAINING RING		SUS-304	NONE
	1	INSULATOR		TEFLON	NONE
	1	CONTACT		BERYLLIUM COPPER	GOLD PLATED
	1	BODY		BRASS	GOLD PLATED
NO.	QT'Y	DESCRIPTION	PART'S NO.	MATERIAL	FINISH

GENERAL TOLERANCES		MATERIAL : SEE TABLE	
DIM: .X \pm 0.25 .XX \pm 0.12		FINISH : SEE TABLE	
ANGULAR: $\pm 3^\circ$		DRAWN BY: SH. 7/29/1999	CHK'D BY: YVONNE 9/27/2011
DIMENSION CLASSIFICATION		APP'D BY :	SCALE : 5 : 1
<input type="checkbox"/> : CRITICAL <input checked="" type="checkbox"/> : MAJOR		UNIT : mm	
SHEET 1 OF 1		DWG. NO.: 21-003B0-B	


圓陵工業股份有限公司
ALINER INDUSTRIES, INC.

TITLE: SMB ST. PLUG FOR P.C.B. MOUNT

REV B

Δ	DIM. CHANGE	1000912	YV.	9-27-11'
LTR	REVISION RECORD	ECN	DR/CHK	DATE
REVISE ONLY ON CAD SYSTEM				

8 7 6 5 4 3 2 1 21-003B