

DO NOT SCALE DRAWING

E

D

C

B

A

8

7

6

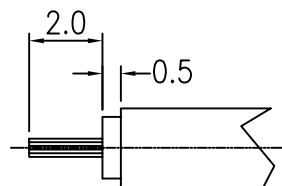
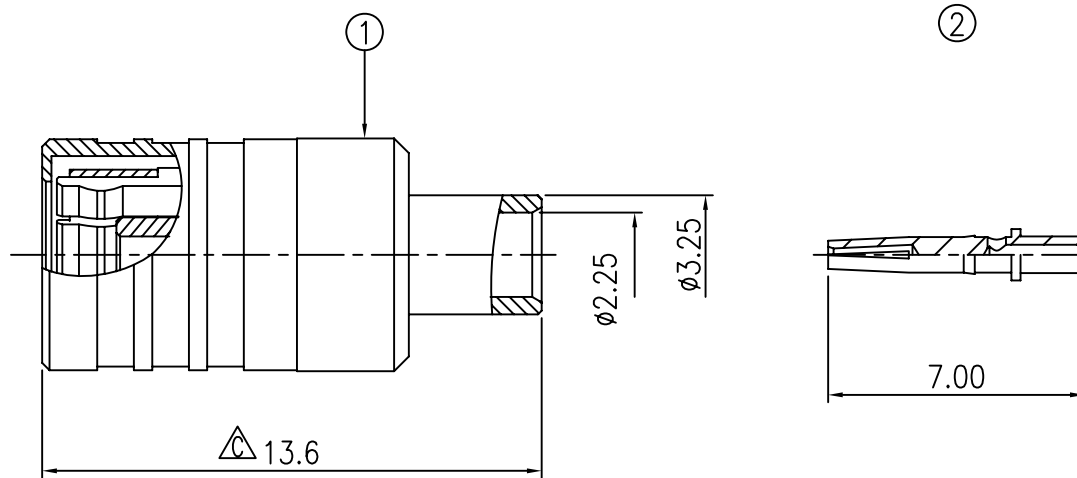
5

4

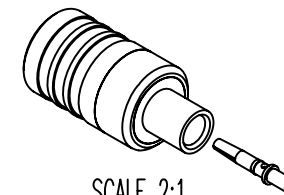
3

2

1



CABLE STRIPPING DIM.



SCALE 2:1

NO.	QTY	DESCRIPTION	PART'S NO.	MATERIAL	FINISH
2	1	FEMALE CONTACT	21-10100-02GE	BERYLLIUM COPPER	GOLD PLATED
1	1	BODY	S21-102G0	BRASS	GOLD PLATED
	1	BODY		BRASS	GOLD PLATED
	1	INSULATOR		TEFLON	NONE
	1	RETAINING RING		△ SUS-304	NONE
	1	△ SLEEVE		BRASS	GOLD PLATED

GENERAL TOLERANCES
 DIM: .X±0.25 .XX±0.12
 ANGULAR: ±3'

MATERIAL : SEE TABLE
 FINISH : SEE TABLE

ALINER 圓陵工業股份有限公司
ALINER INDUSTRIES, INC.

△	DIM. CHANGE	1000910	YV.	9-29-11'
△	MATERIAL CHANGE	960208	YV.	2-26-07'
LTR	REVISION RECORD	ECN	DR/CHK	DATE

DIMENSION CLASSIFICATION
 ■: CRITICAL □: MAJOR

REVISE ONLY ON CAD SYSTEM

DRAWN BY: JAY 7/31/2006 CHK'D BY: YVONNE 9/29/2011
 APP'D BY: SCALE : 5 : 1
 SHEET 1 OF 1 UNIT : mm

TITLE: SMB ST. PLUG FOR .085 SEMI-RIGID CABLE
 DWG. NO.: 21-102G0-B REV C

8

7

6

5

4

3

2

21-102G