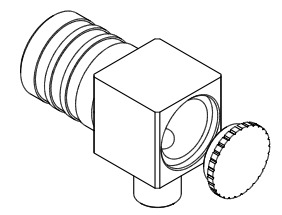
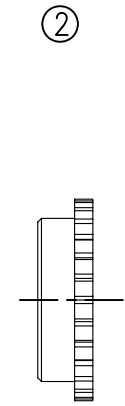
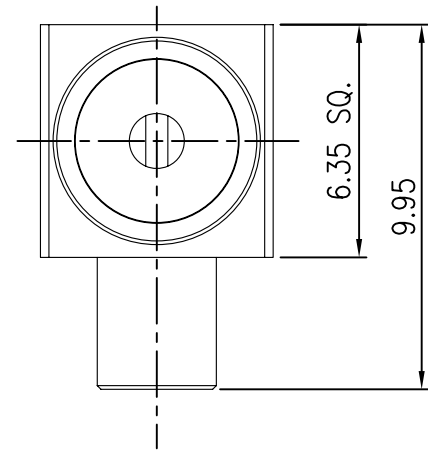
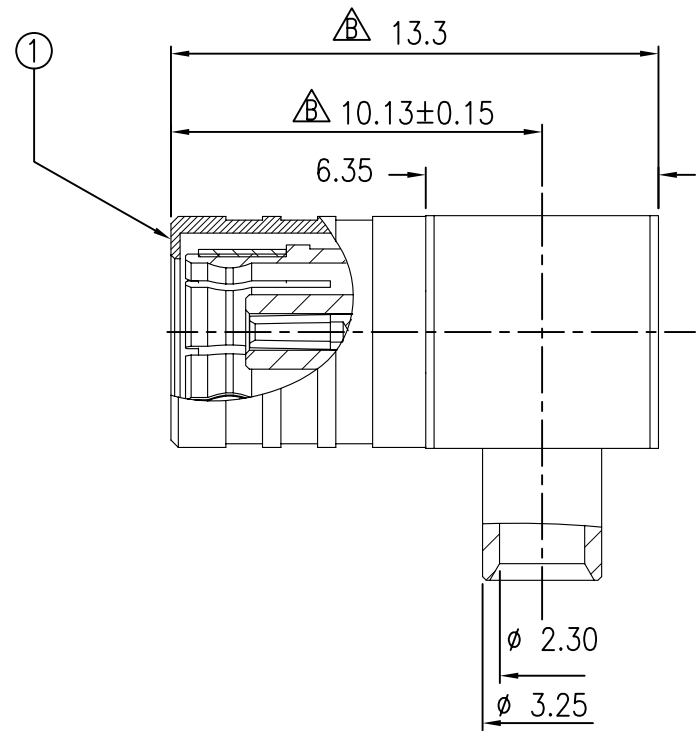
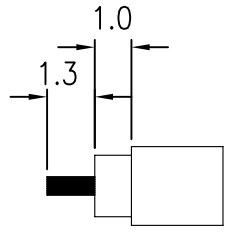


8 7 6 5 4 3 2 1

E
D
C
B
A



SCALE 2:1



CABLE STRIPPED DIM.

NO.	QTY	DESCRIPTION	PART'S NO.	MATERIAL	FINISH
2	1	COVER	21-10900-06GB	BRASS	GOLD PLATED
1	1	INNER CONTACT	S21-109HA	BRASS	GOLD PLATED
	1	RETAINING RING		SUS-304	NONE
	1	SLEEVE		BRASS	GOLD PLATED
	1	INSULATOR		TEFLON	NONE
	1	CONTACT		BERYLLIUM COPPER	GOLD PLATED
	1	BODY		BRASS	GOLD PLATED

DO NOT SCALE DRAWING	GENERAL TOLERANCES				MATERIAL : SEE TABLE		圓陵工業股份有限公司 ALINER INDUSTRIES, INC.
	DIM: .X±0.25		.XX±0.12		FINISH : SEE TABLE		
	ANGULAR: ±3'				DRAWN BY: JAY 5/29/2007		
					CHK'D BY: YVONNE 8/04/2011		
DIMENSION CLASSIFICATION				APP'D BY :		TITLE: SMB R/A PLUG FOR SEMI-RIGID .086 CABLE	
■: CRITICAL		☒: MAJOR		SCALE : 5 : 1		DWG. NO.: 21-109HA-B	
REVISE ONLY ON CAD SYSTEM				SHEET 1 OF 1		UNIT : mm	
REVISION RECORD		DATE		UNIT : mm		REV B	

8 7 6 5 4 3 2 1