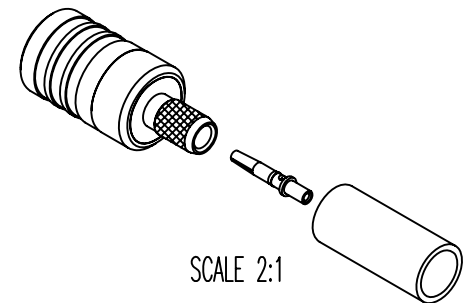
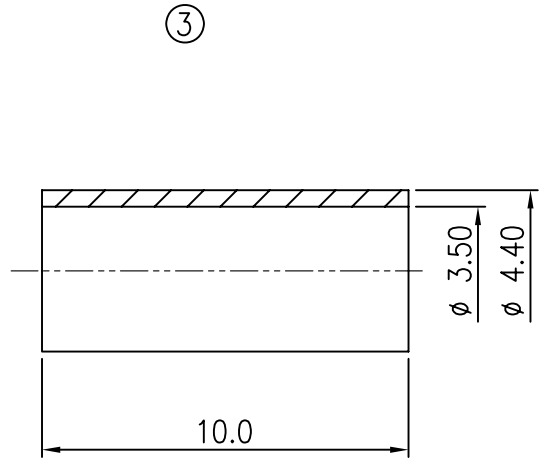
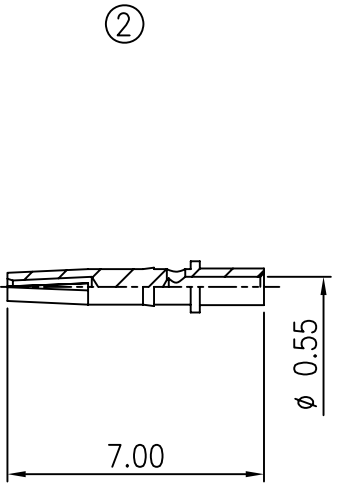
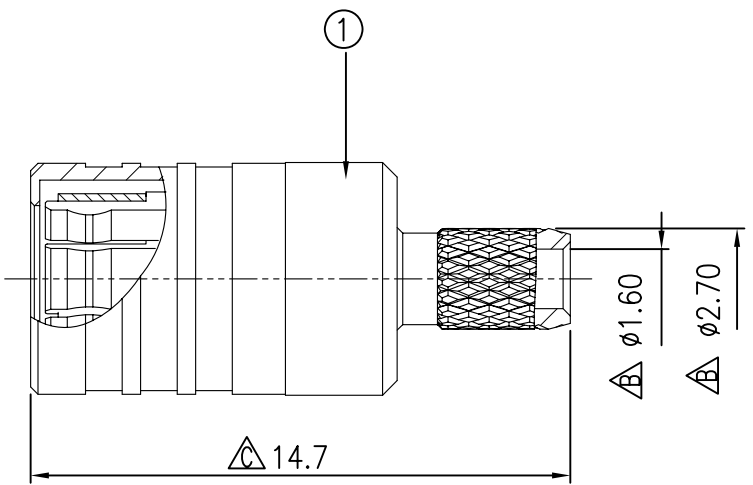


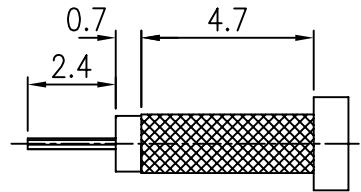
8 7 6 5 4 3 2 1

E
D
C
B
A

E
D
C
B
A



SCALE 2:1



CABLE STRIPPING DIM.

| 3 | 1 | FERRULE | 21-20100-01GA | BRASS | GOLD PLATED |
|-----|-----|-----------------|---------------|------------------|-------------|
| 2 | 1 | FEMALE CONTACT | 21-10100-02GE | BERYLLIUM COPPER | GOLD PLATED |
| 1 | 1 | BODY | S21-201A0 | BRASS | GOLD PLATED |
| | 1 | BODY | | BRASS | GOLD PLATED |
| | 1 | INSULATOR | | TEFLON | NONE |
| | 1 | RETAINING RING | | Δ SUS-304 | NONE |
| | 1 | Δ SLEEVE | | BRASS | GOLD PLATED |
| NO. | QTY | DESCRIPTION | PART'S NO. | MATERIAL | FINISH |

GENERAL TOLERANCES
 DIM: .X±0.25(0.01) .XX±0.12(0.005)
 ANGULAR: ±3'

MATERIAL : SEE TABLE
 FINISH : SEE TABLE

ALINER 圓陵工業股份有限公司
ALINER INDUSTRIES, INC.

DIMENSION CLASSIFICATION
 ■: CRITICAL ☒: MAJOR



DRAWN BY: YVONNE 7/13/2005 CHK'D BY: YVONNE 9/30/2011
 APP'D BY: SCALE : 5:1

TITLE: 75 OHM SMB ST. PLUG FOR RG-179 CABLE (GOLD PLATED)

| | | | | | |
|----------------------|----------|-----------------|---------|--------|----------|
| DO NOT SCALE DRAWING | Δ | DIM. CHANGE | 1000910 | YV. | 9-30-11' |
| | Δ | MATERIAL CHANGE | 960208 | YV. | 2-26-07' |
| | LTR | REVISION RECORD | ECN | DR/CHK | DATE |

REVISE ONLY ON CAD SYSTEM

SHEET 1 OF 1 UNIT : mm

DWG. NO.: 21-201A0-B REV C

8 7 6 5 4 3 2 1 21-201