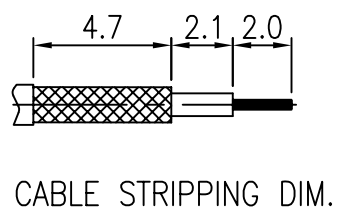
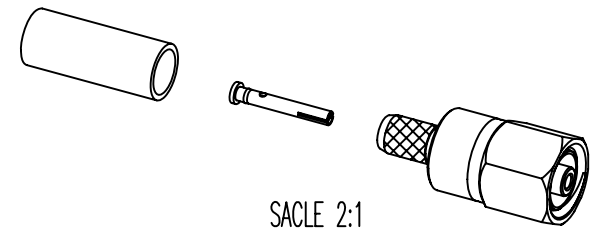
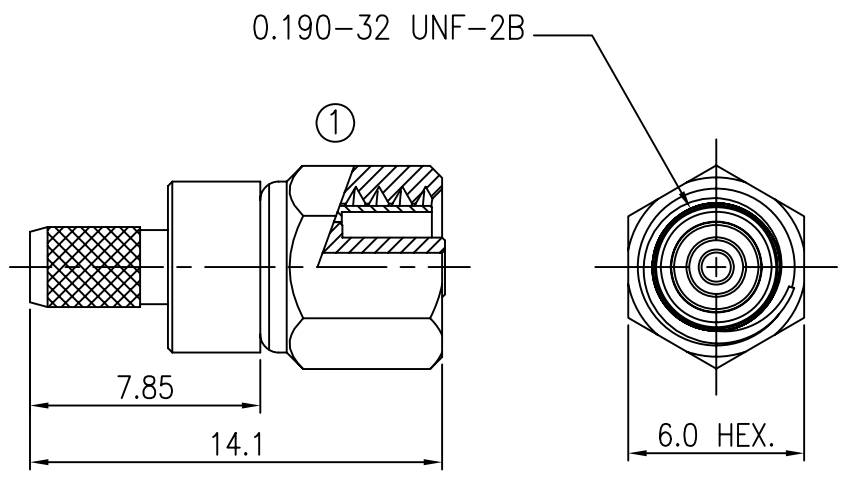
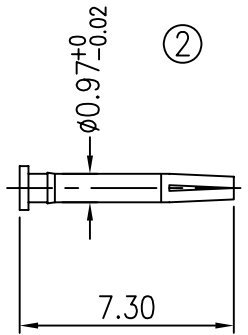
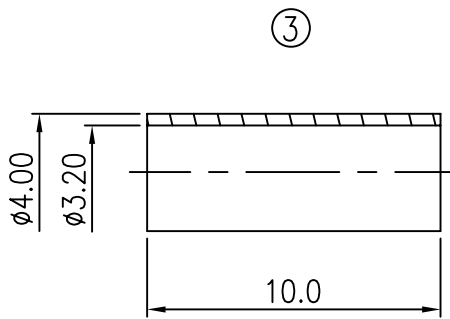


E
D
C
B
A
DO NOT SCALE DRAWING



| | | | | | |
|-----|-----|-------------|---------------|------------------|---------------|
| 3 | 1 | FERRULE | 20-101B0-05NA | BRASS | NICKEL PLATED |
| 2 | 1 | CONTACT | 21-401A0-04GE | BERYLLIUM COPPER | COLD PLATED |
| 1 | 1 | SHELL | S21-401A0 | BRASS | NICKEL PLATED |
| | 1 | INSULATOR | | TEFLON | NONE |
| | 1 | BODY | | BRASS | NICKEL PLATED |
| | 1 | HOLDER | | BRASS | NICKEL PLATED |
| NO. | QTY | DESCRIPTION | PART'S NO. | MATERIAL | FINISH |

GENERAL TOLERANCES
 DIM: .X±0.25(0.01) .XX±0.12(0.005)
 ANGULAR: ±3'

DIMENSION CLASSIFICATION
 ■: CRITICAL ☒: MAJOR

MATERIAL : SEE TABLE
 FINISH : SEE TABLE

DRAWN BY: EUGENE 10/03/2006
 CHK'D BY:
 APP'D BY: SCALE : 4 : 1

圓陵工業股份有限公司
 ALINER INDUSTRIES, INC.

TITLE: SMC ST. PLUG FOR RG-316/U CABLE