

8 7 6 5 4 3 2 1

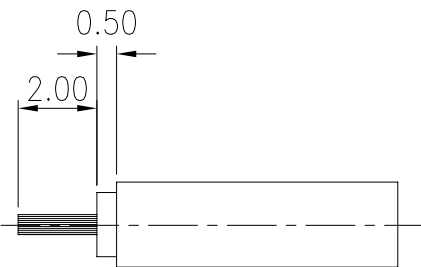
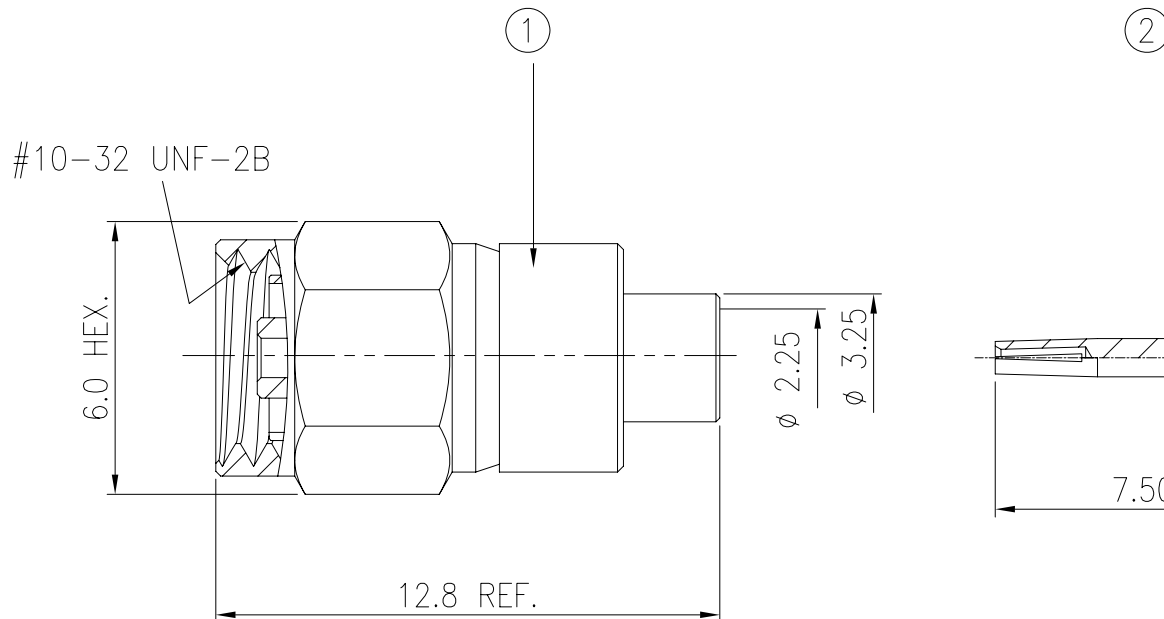
E

D

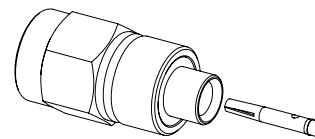
C

B

DO NOT SCALE DRAWING



CABLE STRIPPING DIM.



SCALE 2:1

NO.	QT'Y	DESCRIPTION	PART'S NO.	MATERIAL	FINISH
2	1	CONTACT	21-401GA-02GD	BERYLLIUM COPPER	GOLD PLATED
1	1	HOLDER	S21-401GA	BRASS	GOLD PLATED
	1	SHELL		BRASS	GOLD PLATED
	1	INSULATOR		TEFLON	NONE
	1	BODY		BRASS	GOLD PLATED

GENERAL TOLERANCES
 DIM: .X±0.25(0.01) .XX±0.12(0.005)
 ANGULAR: ±3°

DIMENSION CLASSIFICATION
 ■: CRITICAL ☒: MAJOR



MATERIAL : SEE TABLE

FINISH : SEE TABLE

DRAWN BY: YVONNE 11/02/2007

APP'D BY: SCALE : 5 : 1

SHEET 1 OF 1 UNIT : mm

ALINER 圓陵工業股份有限公司
 ALINER INDUSTRIES, INC.

TITLE: SMC ST. FOR
 RG-405 / .085 CABLE

DWG. NO.: 21-401GA-B REV A

8 7 6 5 4 3 2 1