

8 7 6 5 4 3 2 1

E

E

D

D

C

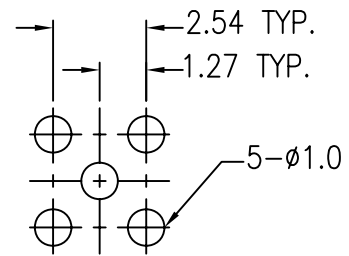
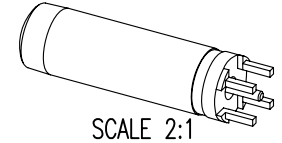
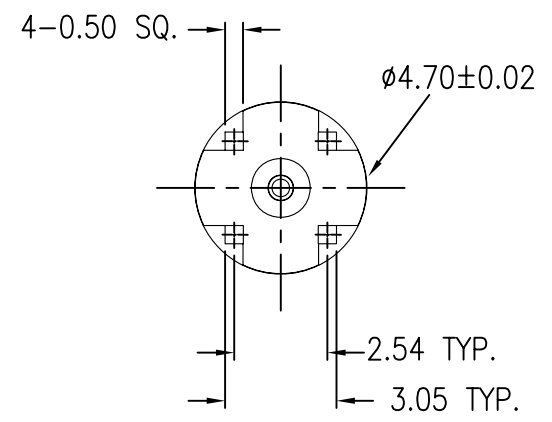
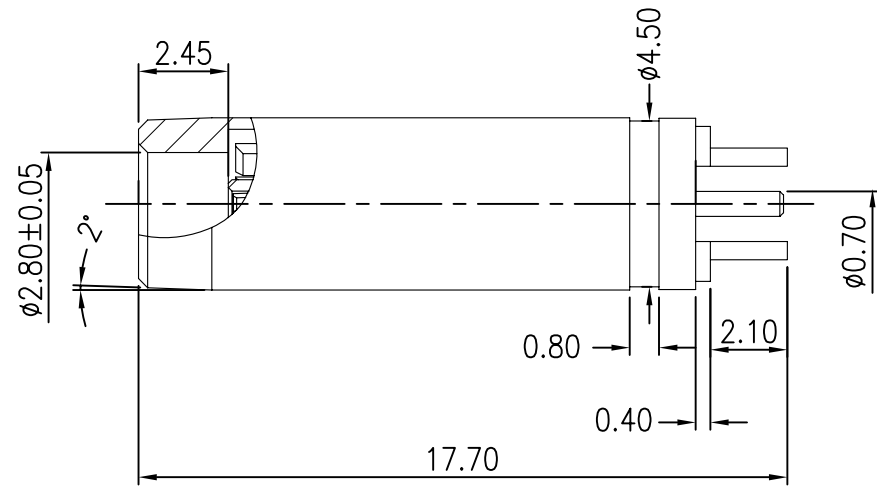
C

B

B

DO NOT SCALE DRAWING

A



RECOMMENDED P.C.B. LAYOUT

NO.	QTY	DESCRIPTION	PART'S NO.	MATERIAL	FINISH
7	1/50	TRAY	S22-003B0	NONE	NONE
6	1	CONTACT		BERYLLIUM COPPER	GOLD PLATED
5	1	INSULATOR		TEFLON	NONE
4	1	BODY		BRASS	GOLD PLATED
3	1	INSULATOR		TEFLON	NONE
2	1	INNER CONTACT		BERYLLIUM COPPER	GOLD PLATED
1	1	SHELL		BRASS	GOLD PLATED

GENERAL TOLERANCES
 DIM: .X±0.25 .XX±0.12
 ANGULAR: ±3'

DIMENSION CLASSIFICATION
 ■: CRITICAL ☒: MAJOR

MATERIAL : SEE TABLE
 FINISH : SEE TABLE

DRAWN BY: SHADOW 08/11/2000
 CHK'D BY: YVONNE 1/19/2012
 APP'D BY :
 SCALE : 5 : 1

ALINER 圓陵工業股份有限公司
 ALINER INDUSTRIES, INC.

TITLE: SSWI ST. PLUG FOR P.C.B. MOUNT

LTR	REVISION RECORD	ECN	DR/CHK	DATE	REVISE ONLY ON CAD SYSTEM	SHEET 1 OF 1	UNIT : mm	DWG. NO.: 22-003B0-T	REV A
-----	-----------------	-----	--------	------	---------------------------	--------------	-----------	----------------------	-------

8 7 6 5 4 3 2 1