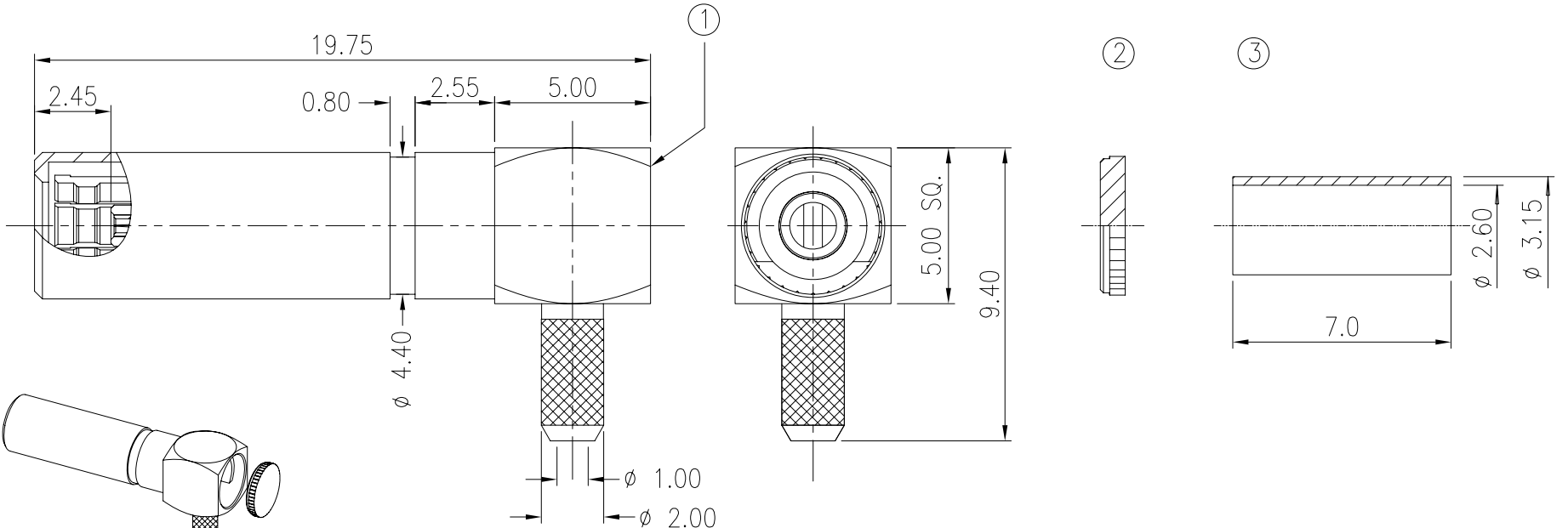


8 7 6 5 4 3 2 1

E
D
C
B
A
DO NOT SCALE DRAWING



SCALE 2:1

CABLE STRIPPED DIM.

3	1	FERRULE	23-109EA-05GA	BRASS	GOLD PLATED
2	1	COVER	22-209A0-05GB	BRASS	GOLD PLATED
1	1	BODY	S22-209B0	BRASS	GOLD PLATED
	1	INSULATOR		TEFLON	NONE
	1	BODY		BRASS	GOLD PLATED
	1	CONTACT		BERYLLIUM COPPER	GOLD PLATED
	1	INSULATOR		TEFLON	NONE
	1	INNER CONTACT		BERYLLIUM COPPER	GOLD PLATED
	1	SHELL		BRASS	GOLD PLATED
NO.	QTY	DESCRIPTION	PART'S NO.	MATERIAL	FINISH

GENERAL TOLERANCES
 DIM: .X±0.25(0.01) .XX±0.12(0.005)
 ANGULAR: ±3°

DIMENSION CLASSIFICATION
 ■: CRITICAL ☒: MAJOR

MATERIAL : SEE TABLE

FINISH : SEE TABLE

DRAWN BY: YVONNE
1/21/2005

CHK'D BY:

APP'D BY:

SCALE : 5 : 1

SHEET 1 OF 1

UNIT : mm

ALINER 圓陵工業股份有限公司
 ALINER INDUSTRIES, INC.

TITLE: SSMB R/A PLUG FOR RG-178 CABLE

DWG. NO.: 22-209B-B REV A

8 7 6 5 4 3 2 1 22-209B