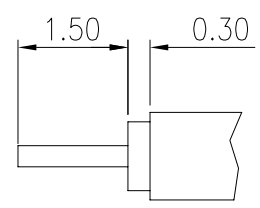
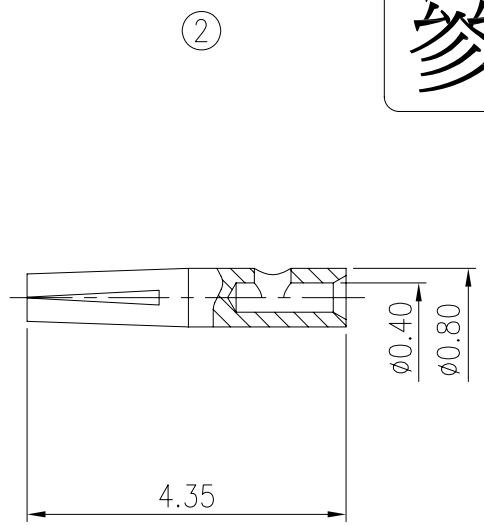
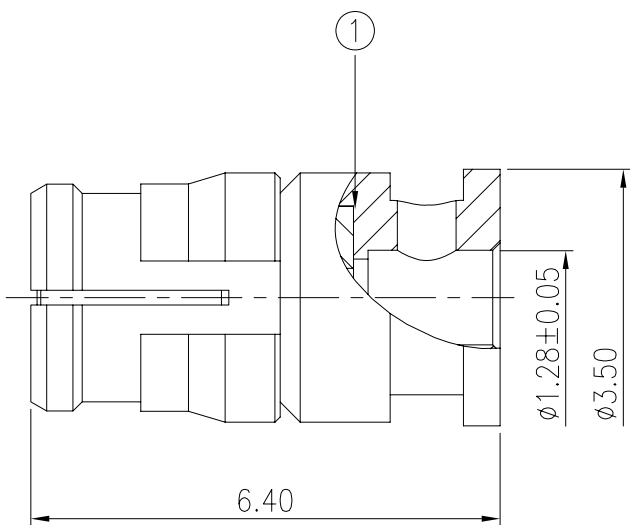
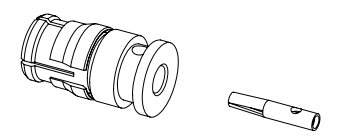


參考用圖



CABLE STRIPPING DIM.



SCALE 3:1

NO.	QTY	DESCRIPTION	PART'S NO.	MATERIAL	FINISH
2	1	CONTACT	26-001A0-02GE	BERYLLIUM COPPER	GOLD PLATED
1	1	Anti-Rock\EMI Ring	S26-001A0	BERYLLIUM COPPER	GOLD PLATED
	1	INSULATOR		TEFLON	NONE
	1	BODY		BERYLLIUM COPPER	GOLD PLATED

DO NOT SCALE DRAWING

GENERAL TOLERANCES
 DIM: .X±0.25(0.01) .XX±0.12(0.005)
 ANGULAR: ±3°

DIMENSION CLASSIFICATION
 ■: CRITICAL ☒: MAJOR



MATERIAL : SEE TABLE
 FINISH : SEE TABLE
 DRAWN BY: EUGENE 12/22/2006 CHK'D BY: YVONNE 9/16/2009
 APP'D BY : SCALE : 10 : 1
 SHEET 1 OF 1 UNIT : mm

ALINER 圓陵工業股份有限公司
 ALINER INDUSTRIES, INC.

TITLE: SMP ST. PLUG FOR 0.047" CABLE

DWG. NO.: 26-001A0-B REV A

LTR	REVISION RECORD	ECN	DR/CHK	DATE
-----	-----------------	-----	--------	------

REVISE ONLY ON CAD SYSTEM

8	7	6	5	4	3	2	1
E	D	C	B	A			