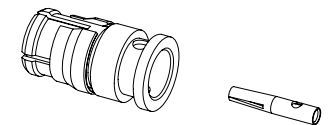
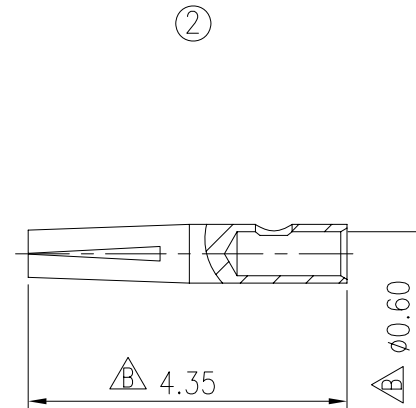
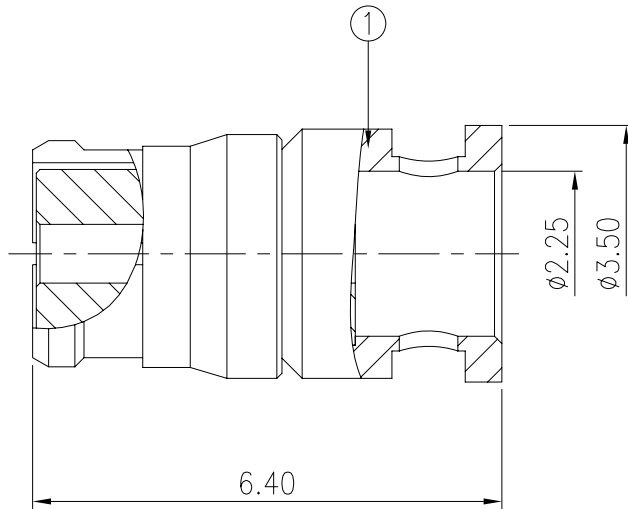
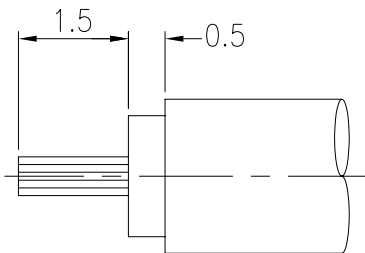




Reference only



SCALE 3:1



CABLE STRIPPING DIM.

NO.	QTY	DESCRIPTION	PART'S NO.	MATERIAL	FINISH
2	1	CONTACT	△ 26-001B0-02GE	BERYLLIUM COPPER	GOLD PLATED
1	1	Anti-Rock\EMI Ring	S26-001B0	BERYLLIUM COPPER	GOLD PLATED
	1	INSULATOR		TEFLON	NONE
	1	BODY		BERYLLIUM COPPER	GOLD PLATED

GENERAL TOLERANCES
 DIM: .X±0.25(0.01) .XX±0.12(0.005)
 ANGULAR: ±3°

MATERIAL : SEE TABLE

FINISH : SEE TABLE

DIMENSION CLASSIFICATION
 ■: CRITICAL ☒: MAJOR

DRAWN BY: EUGENE 12/19/2007 CHK'D BY: YVONNE 4/21/2008

APP'D BY : SCALE : 10 : 1

SHEET 1 OF 1 UNIT : mm

ALINER 圓陵工業股份有限公司
 ALINER INDUSTRIES, INC.

TITLE: △ SMP ST. PLUG FOR .085/ .086 CABLE

DWG. NO.: 26-001B0-B REV B

DO NOT SCALE DRAWING

△	DIM. CHANGE	970409	YV.	4-21-08'
LTR	REVISION RECORD	ECN	DR/CHK	DATE

REVISE ONLY ON CAD SYSTEM

26-001B