



MC-CARD



Aliner Industries, Inc.

No. 32, Lane 387, Min-an Rd., Sinjhuang City,
Taipei County 24256, Taiwan

Tel : +886-2-2205-5791
E-mail : sales@aliner.com.tw

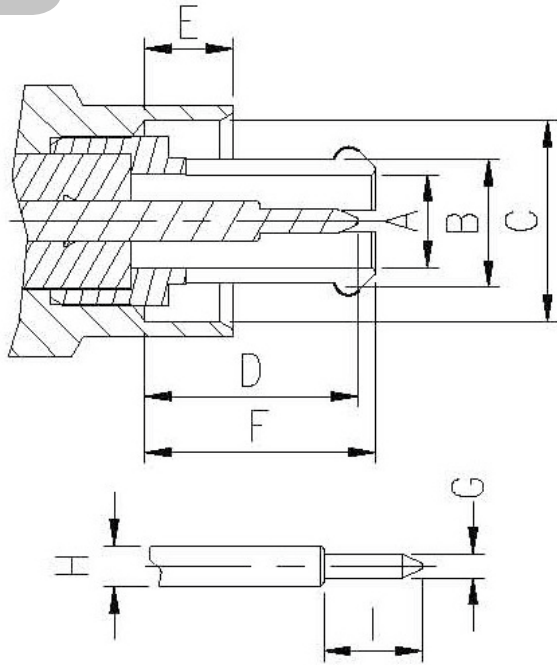
Fax : +886-2-2203-8052 / 2205-5628
<http://www.aliner.com.tw>

MC-CARD - Description

Aliner MC-CARD connectors are suitable for DC up to 6 GHz. Applications include wireless network communication and etc.. Aliner MC-CARD is quick connection/disconnection snap-on mating.

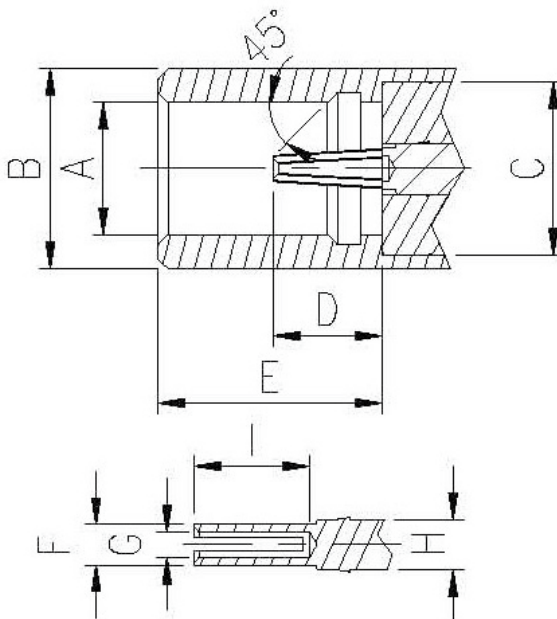
Interface Mating Dimensions

MALE :

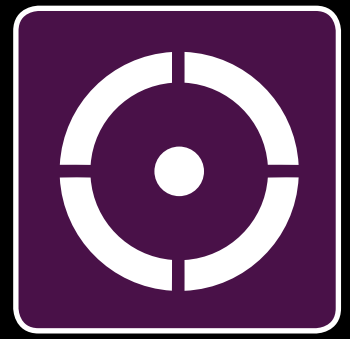


LTR.	Millimeters / Inches			
	MINIMUM		MAXIMUM	
A -	Ø 1.35	Ø .053	Ø 1.45	Ø .057
B -	Ø 1.80	Ø .071	Ø 1.90	Ø .075
C -	Ø 2.95	Ø .116	Ø 3.05	Ø .120
D -	3.15	.124	3.25	.128
E -	1.25	.049	1.35	.053
F -	3.35	.132	3.45	.136
G -	Ø 0.33	Ø .013	Ø 0.37	Ø .041
H -	Ø 0.58	Ø .023	Ø 0.62	Ø .024
I -	1.40	.055	1.50	.059

FEMALE :



LTR.	Millimeters / Inches			
	MINIMUM		MAXIMUM	
A -	Ø 1.90	Ø .075	Ø 2.00	Ø .079
B -	Ø 2.90	Ø .114	Ø 3.05	Ø .120
C -	Ø 2.50	Ø .098	Ø 2.60	Ø .103
D -	1.50	.059	1.70	.067
E -	3.20	.126	3.40	.134
F -	Ø 0.58	Ø .023	Ø 0.62	Ø .024
G -	Ø 0.33	Ø .013	Ø 0.43	Ø .017
H -	Ø 0.70	Ø .027	Ø 0.80	Ø .031
I -	3.20	.126	3.40	.134



Technical Data

Material / Finish :

	Material	Finish
Connector body	Brass per (QQ-B-626 or JIS-C3604B)	Nickel or gold plating
Center contact male	Brass per (QQ-B-626 or JIS-C3604B)	Gold plating
Center contact female	Beryllium copper per (QQ-C-530 or JIS-C1730)	Gold plating
Insulator	PTFE	None
Crimp ferrule	Annealed copper	Same as body

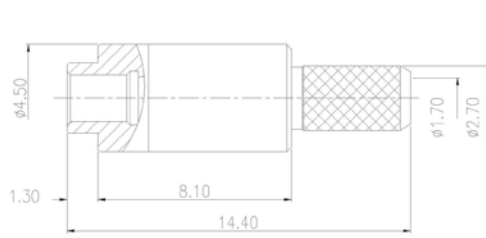
Electrical :

Nominal impedance	50Ω
Frequency up to	6.0 GHz
VSWR	1.20 max.@3GHz
Working voltage	100 Volts rms.
Dielectric withstanding voltage	250 Volts rms.
Insulation resistance	500 MΩ min.
Contact resistance	center conductor 5.0 mΩ initial outer conductor 3.0 mΩ initial

Mechanical & Environmental :

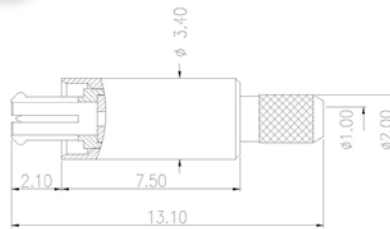
Mating	Snap on coupling
Durability	≥ 500 cycles
Engagement force	2.5 kgf max.
Disengagement force	0.3 kgf min.
Temperature range	-55 °C to +155 °C
Vibration	Per MIL-STD-202 Method 204 Test Condition D
Corrosion	Per MIL-STD-202 Method 101 Test Condition B

Straight Jack(female)



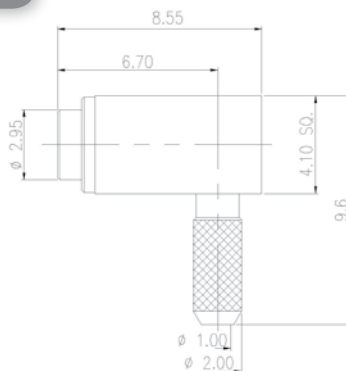
Aliner P/N	Impedance	Plating	Packaging	Cable Type	Note
23-230C0-B	50	Nickel	Bulk	1.30 mini coaxial	Standard
23-230B0-B	50	Nickel	Bulk	1.5D-2V	Standard
23-230D0-B	50	Nickel	Bulk	RG-178 B/U;RG-196 A/U	Standard

Straight Plug(male)



Aliner P/N	Impedance	Plating	Packaging	Cable Type	Note
23-130D0-B	50	Nickel	Bulk	1.30 mini coaxial	Standard
23-130B0-B	50	Nickel	Bulk	RG-174/U;RG-188 A/U;RG-316/U	Standard
23-130A0-B	50	Nickel	Bulk	RG-178 B/U;RG-196 A/U	Standard

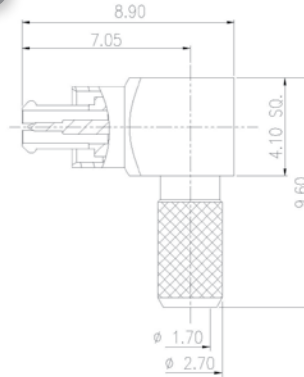
Right Angle Jack(female)



Aliner P/N	Impedance	Plating	Packaging	Cable Type	Note
23-209E0-B	50	Nickel	Bulk	RG-178 B/U;RG-196 A/U	Standard



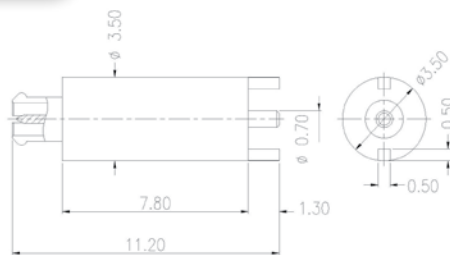
Right Angle Plug(male)



A liner P/N	Impedance	Plating	Packaging	Cable Type	Note
23-109EC-B	50	Nickel	Bulk	1.13 mini coaxial	Standard
23-109FF-B	50	Nickel	Bulk	1.27 mini coaxial	Standard
23-109ED-B	50	Nickel	Bulk	1.30 mini coaxial	Standard
23-109G0-B	50	Nickel	Bulk	1.37 mini coaxial	Standard
23-109AA-B	50	Nickel	Bulk	Filotex 296769	Standard
23-109CB-B	50	Nickel	Bulk	LMR-100	Standard
23-109CA-B	50	Nickel	Bulk	RG-174/U;RG-188 A/U;RG-316/U	Standard
23-109EF-B	50	Nickel	Bulk	RG-178 B/U;RG-196 A/U	Standard

Straight Plug(male)

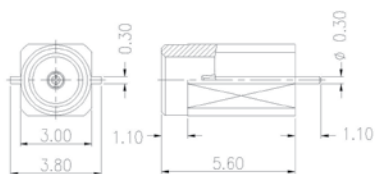
PCB MOUNT



Aliner P/N	Impedance	Plating	Packaging	Mounting Pattern	Note
23-102A0-T	50	Gold	Tray	B68	Standard

Straight Jack(female)

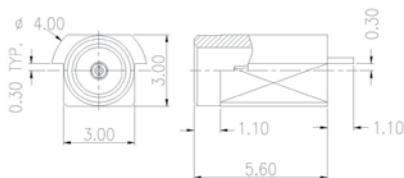
SMD



Aliner P/N	Impedance	Plating	Packaging	Mounting Pattern	Note
23-006C0-T	50	Tin	Tray	B69	Standard
23-006AG-R	50	Gold	Reel	B69	Standard
23-006A0-R	50	Nickel	Reel	B69	Standard

Straight Jack(female)

SMD

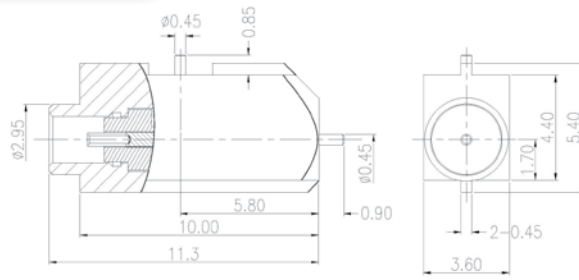


Aliner P/N	Impedance	Plating	Packaging	Mounting Pattern	Note
23-006B0-R	50	Tin	Reel	B74	Standard



Straight Jack(female)

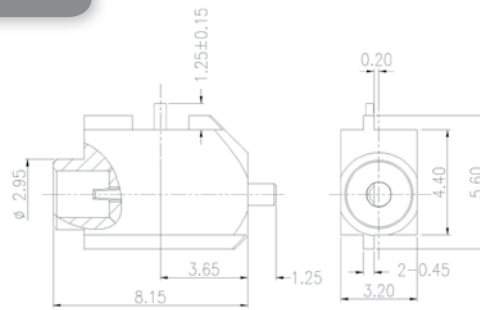
PCB EDGE MOUNT



Aliner P/N	Impedance	Plating	Packaging	Mounting Pattern	Note
23-301A0-R	50	Gold	Reel	B75	Standard

Straight Jack(female)

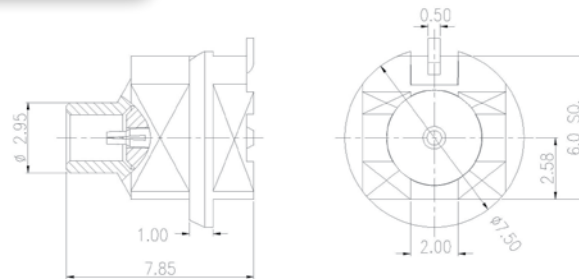
PCB EDGE MOUNT



Aliner P/N	Impedance	Plating	Packaging	Mounting Pattern	Note
23-302B0-R	50	Gold	Reel	B76	Standard

Straight Jack(female)

PCB VERTICAL MOUNT



Aliner P/N	Impedance	Plating	Packaging	Mounting Pattern	Note
23-403A0-T	50	Gold	Tray	B77	Standard
23-403AA-R	50	Gold	Reel	B77	Standard

