



SMB



Aliner Industries, Inc.

No. 32, Lane 387, Min-an Rd., Sinjhuang City,
Taipei County 24256, Taiwan

Tel : +886-2-2205-5791
E-mail : sales@aliner.com.tw

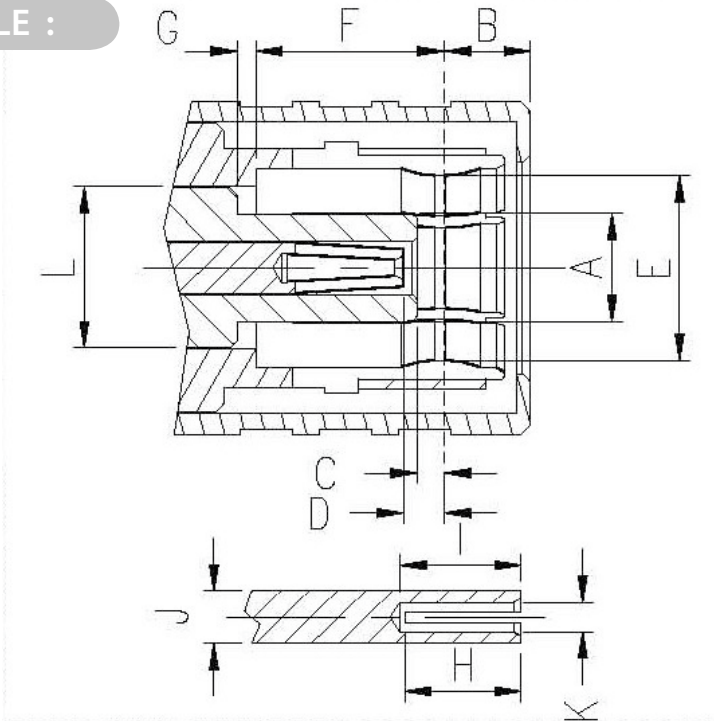
Fax : +886-2-2203-8052 / 2205-5628
<http://www.aliner.com.tw>

SMB - Description

Aliner SMB connectors are suitable for application from DC up to 4 GHz, and are quick connection/disconnection snap-on mating.

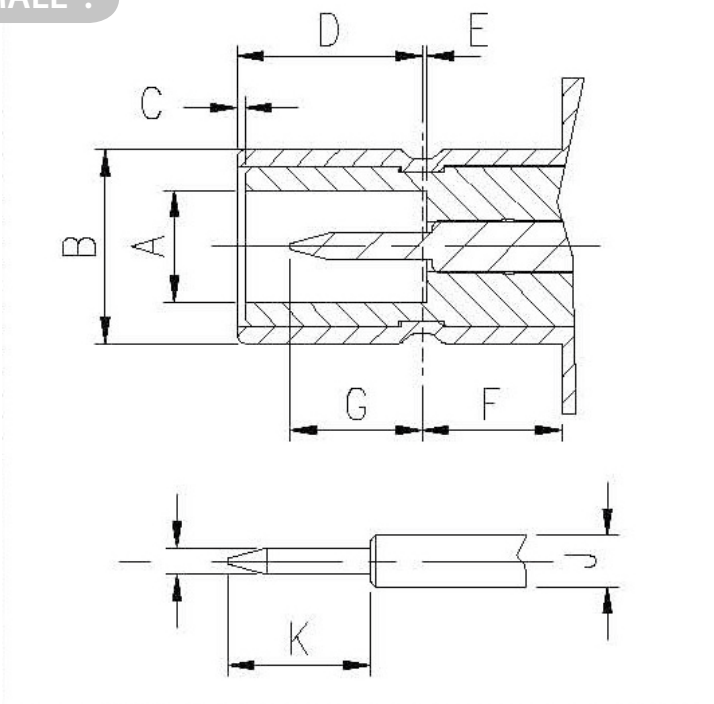
Interface Mating Dimensions

MALE :

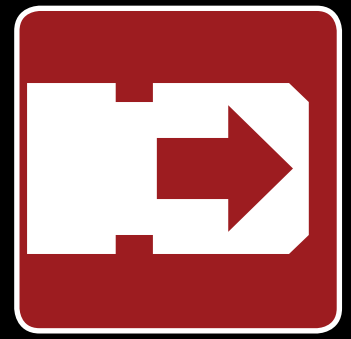


LTR.	Millimeters / Inches			
	MINIMUM		MAXIMUM	
A -	Ø 2.00	Ø .079	Ø 2.08	Ø .082
B -			1.63	.064
C -	0.27	.011	0.52	.021
D -	0.29	.012	0.57	.023
E -	Ø 3.40	Ø .134	Ø 3.50	Ø .138
F -	3.58	.141		
G -	0.00	.000	0.29	.012
H -	1.65	.065		
I -	2.79	.110		
J -	Ø 0.95	Ø .037	Ø 1.02	Ø .040
K -	Ø 0.56	Ø .022	Ø 0.60	Ø .024
L -	Ø 3.05	Ø .120	Ø 3.10	Ø .122

FEMALE :



LTR.	Millimeters / Inches			
	MINIMUM		MAXIMUM	
A -	Ø 2.10	Ø .083	Ø 2.20	Ø .087
B -	Ø 3.66	Ø .144	Ø 3.71	Ø .146
C -	0.04	.002	0.24	.010
D -	3.48	.137	3.53	.139
E -	0.05	.002		
F -	1.65	.065		
G -	2.39	.094	2.72	.107
H -	Ø 3.05	Ø .120	Ø 3.10	Ø .122
I -	Ø 0.48	Ø .019	Ø 0.53	Ø .021
J -	Ø 0.95	Ø .037	Ø 1.02	Ø .040
K -	2.51	.099	2.70	.103



Technical Data

Material / Finish :

	Material	Finish
Connector body	Brass per (QQ-B-626 or JIS-C3604B)	Nickel or gold plating
Center contact male	Brass per (QQ-B-626 or JIS-C3604B)	Gold plating
Center contact female	Beryllium copper per (QQ-C-530 or JIS-C1730)	Gold plating
Insulator	PTFE	None
Crimp ferrule	Annealed copper	Same as body

Electrical :

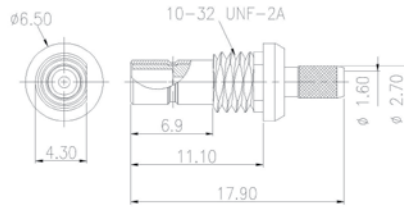
Nominal impedance	50 Ω
Frequency up to	4.0 GHz
VSWR	1.25 + 0.05 × f GHz
Working voltage	250 Volts rms.
Dielectric withstanding voltage	750 Volts rms.
Insulation resistance	1000 MΩ min.
Contact resistance	center conductor 6.0 mΩ outer conductor 1.5 mΩ

Mechanical & Environmental :

Mating	Snap on coupling
Cable retention	6 kgf typical
Engage force	3.0 kgf max.
Disengage force	0.5 kgf min.
Durability	≥ 500 cycles
Temperature range	PTFE -55 °C to +155 °C
Vibration	Per MIL-STD-202 Method 204 Test Condition D
Corrosion	Per MIL-STD-202 Method 101 Test Condition B

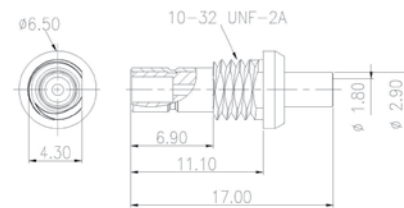


Straight Bulkhead Jack (male contact)



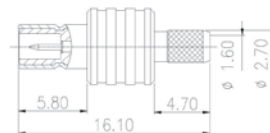
Aliner P/N	Impedance	Plating	Packaging	Cable Type	Note
21-133D0-B	50	Nickel	Bulk	RD-316	Standard
21-133G0-B	50	Gold	Bulk	RG-174/U;RG-188 A/U;RG-316/U	Standard
21-133A0-B	50	Nickel	Bulk	RG-174/U;RG-188 A/U;RG-316/U	Standard
21-133B0-B	75	Nickel	Bulk	RG-179 B/U; RG-187 A/U	Standard

Straight Bulkhead Jack (male contact)



Aliner P/N	Impedance	Plating	Packaging	Cable Type	Note
21-133C0-B	50	Gold	Bulk	1.37 mini coaxial	Standard
21-133CB-B	50	Gold	Bulk	1.48 mini coaxial	Standard
21-133GA-B	50	Gold	Bulk	RG-178 B/U;RG-196 A/U	Standard

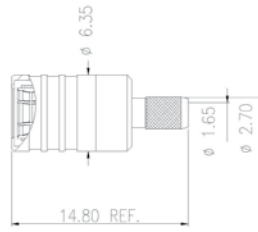
Straight Jack (male contact)



Aliner P/N	Impedance	Plating	Packaging	Cable Type	Note
21-131G0-B	50	Gold	Bulk	RG-174/U;RG-188 A/U;RG-316/U	Standard
21-131A0-B	50	Nickel	Bulk	RG-174/U;RG-188 A/U;RG-316/U	Standard
21-131B0-B	75	Nickel	Bulk	RG-179 B/U; RG-187 A/U	Standard
21-131AB-B	50	Gold	Bulk	RG-58 C/U;RG-303/U	Standard

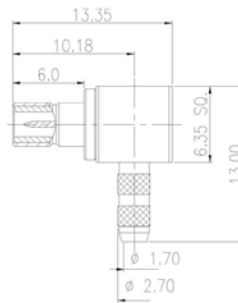


Straight Plug (female contact)



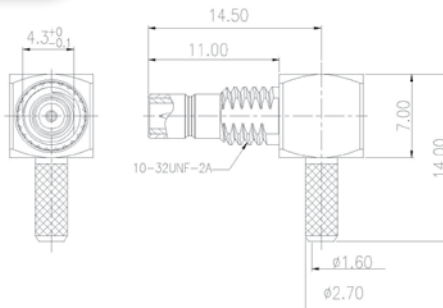
Aliner P/N	Impedance	Plating	Packaging	Cable Type	Note
21-102G0-B	50	Gold	Bulk	.085 semi-rigid	Standard
21-102G1-B	50	Gold	Bulk	.141 semi-rigid	Standard
21-101G0-B	50	Gold	Bulk	Filotex 296769	Standard
21-101A2-B	50	Gold	Bulk	RD-316	Standard
21-101A0-B	50	Gold	Bulk	RG-174/U;RG-188 A/U;RG-316/U	Standard
21-10100-B	50	Nickel	Bulk	RG-174/U;RG-188 A/U;RG-316/U	Standard
21-101AA-B	50	Gold	Bulk	RG-178 B/U;RG-196 A/U	Standard
21-201A0-B	75	Gold	Bulk	RG-179 B/U; RG-187 A/U	Standard
21-20100-B	75	Nickel	Bulk	RG-179 B/U; RG-187 A/U	Standard
21-101B0-B	50	Gold	Bulk	RG-58 C/U;RG-303/U	Standard

Right Angle Jack (male contact)



Aliner P/N	Impedance	Plating	Packaging	Cable Type	Note
21-309A0-B	50	Gold	Bulk	RG-174/U;RG-188 A/U;RG-316/U	Standard

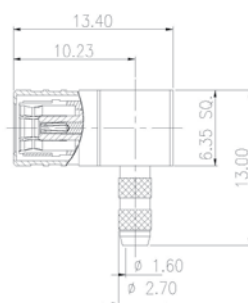
Right Angle Bulkhead Jack(male contact)



Aliner P/N	Impedance	Plating	Packaging	Cable Type	Note
21-309BA-B	50	Gold	Bulk	RG-174/U;RG-188 A/U;RG-316/U	Standard

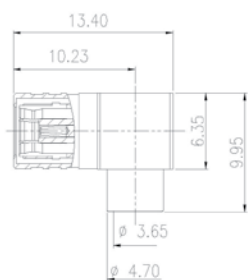


Right Angle Plug (female contact)



Aliner P/N	Impedance	Plating	Packaging	Cable Type	Note
21-109E0-B	50	Nickel	Bulk	2.5D-2V	Standard
21-109F0-B	50	Gold	Bulk	2.5D-2V	Standard
21-109D0-B	50	Gold	Bulk	Filotex 296769	Standard
21-109A0-B	50	Nickel	Bulk	RD-316	Standard
21-109AA-B	50	Gold	Bulk	RD-316	Standard
21-109G0-B	50	Gold	Bulk	RG-174/U;RG-188 A/U;RG-316/U	Standard
21-10900-B	50	Nickel	Bulk	RG-174/U;RG-188 A/U;RG-316/U	Standard
21-109C0-B	50	Gold	Bulk	RG-178 B/U;RG-196 A/U	Standard
21-20900-B	75	Nickel	Bulk	RG-179 B/U; RG-187 A/U	Standard
21-20901-B	75	Gold	Bulk	RG-179 B/U; RG-187 A/U	Standard
21-109AD-B	75	Gold	Bulk	RG-179 B/U; RG-187 A/U	Standard
21-109B0-B	50	Gold	Bulk	RG-58 C/U;RG-303/U	Standard

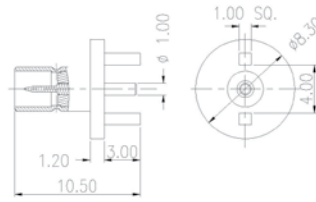
Right Angle Plug (female contact)



Aliner P/N	Impedance	Plating	Packaging	Cable Type	Note
21-109HB-B	50	Gold	Bulk	.047 semi-rigid	Standard
21-109HA-B	50	Gold	Bulk	.085 semi-rigid	Standard
21-109HC-B	50	Gold	Bulk	.141 semi-rigid	Standard

Straight Jack (male contact)

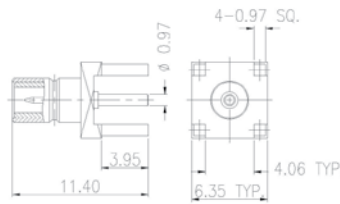
PCB MOUNT



Aliner P/N	Impedance	Plating	Packaging	Mounting Pattern	Note
21-002AB-B	75	Gold	Bulk	B81	Standard

Straight Jack (male contact)

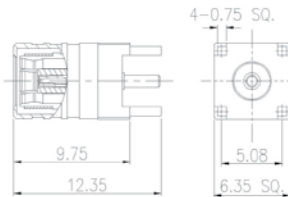
PCB MOUNT



Aliner P/N	Impedance	Plating	Packaging	Mounting Pattern	Note
21-002C0-B	75	Gold	Bulk	B80	Standard
21-002A0-B	50	Nickel	Bulk	B80	Standard
21-002G0-T	50	Gold	Tray	B80	Standard
21-002G0-B	50	Gold	Bulk	B80	Standard

Straight Plug (female contact)

PCB MOUNT

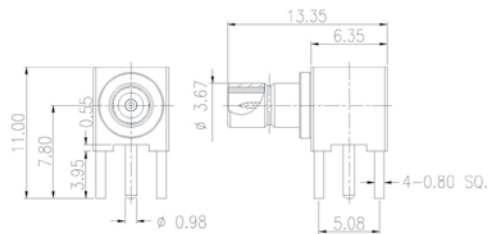


Aliner P/N	Impedance	Plating	Packaging	Mounting Pattern	Note
21-003B0-T	50	Gold	Tray	B17	Standard
21-003B0-B	50	Gold	Bulk	B17	Standard



Right Angle Jack (male contact)

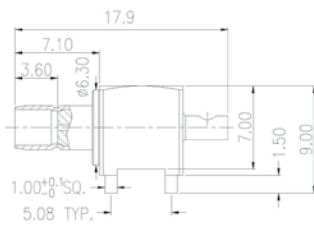
PCB MOUNT



Aliner P/N	Impedance	Plating	Packaging	Mounting Pattern	Note
21-209AC-B	75	Gold	Bulk	B17	Standard
21-209A0-B	50	Gold	Bulk	B17	Standard
21-209A0-T	50	Gold	Tray	B17	Standard
21-209AN-T	50	Nickel	Tray	B17	Standard

Right Angle Jack (male contact)

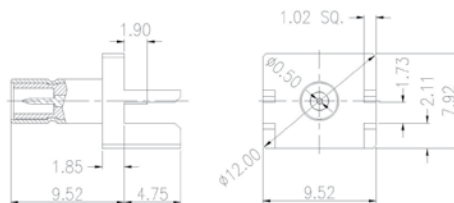
PCB MOUNT & CABLE



Aliner P/N	Impedance	Plating	Packaging	Mounting Pattern & Cable Type	Note
21-209BA-B	75	Gold	Bulk	B82 & 1.31 mini coaxial	Standard

Straight Jack (male contact)

PCB EDGE MOUNT

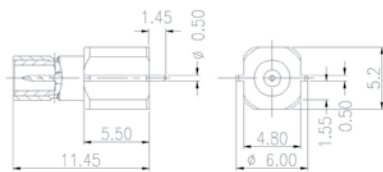


Aliner P/N	Impedance	Plating	Packaging	Mounting Pattern & Cable Type	Note
21-004AA-B	50	Gold	Bulk	B78	Standard
21-004AA-T	50	Gold	Tray	B78	Standard



Straight Jack (male contact)

PCB EDGE MOUNT

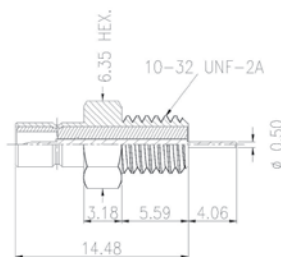


Aliner P/N	Impedance	Plating	Packaging	Mounting Pattern	Note
21-005AA-R	50	Gold	Reel	B79	Standard
21-005AA-T	50	Gold	Tray	B79	Standard

SMB FEED THROUGH



Straight Bulkhead Jack (male contact)

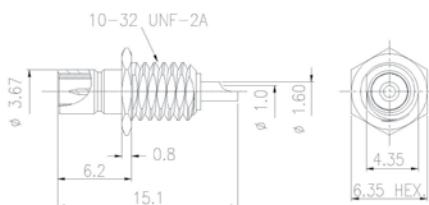


Aliner P/N	Impedance	Plating	Packaging	Note
21-104AP-T	50	Passivation	Tray	Standard

SMB RECEPTACLE



Straight Bulkhead Jack (male contact)



Aliner P/N	Impedance	Plating	Packaging	Note
21-104CA-B	50	Gold	Bulk	Standard

