



SMC



Aliner Industries, Inc.

No. 32, Lane 387, Min-an Rd., Sinjhuang City,
Taipei County 24256, Taiwan

Tel : +886-2-2205-5791
E-mail : sales@aliner.com.tw

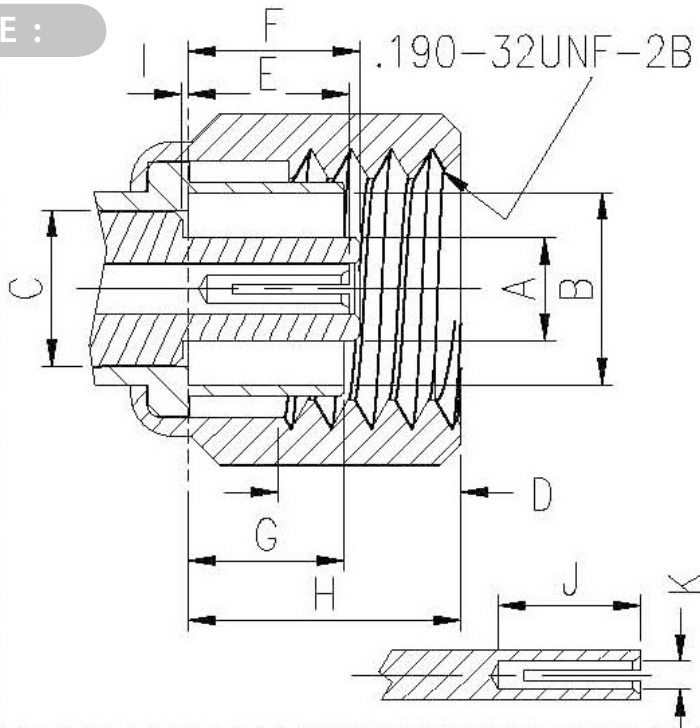
Fax : +886-2-2203-8052 / 2205-5628
<http://www.aliner.com.tw>

SMC - Description

Aliner SMC connectors are suitable for application from DC up to 10 GHz, respectively 4 GHz. For quick connection/disconnection even in a limited space.

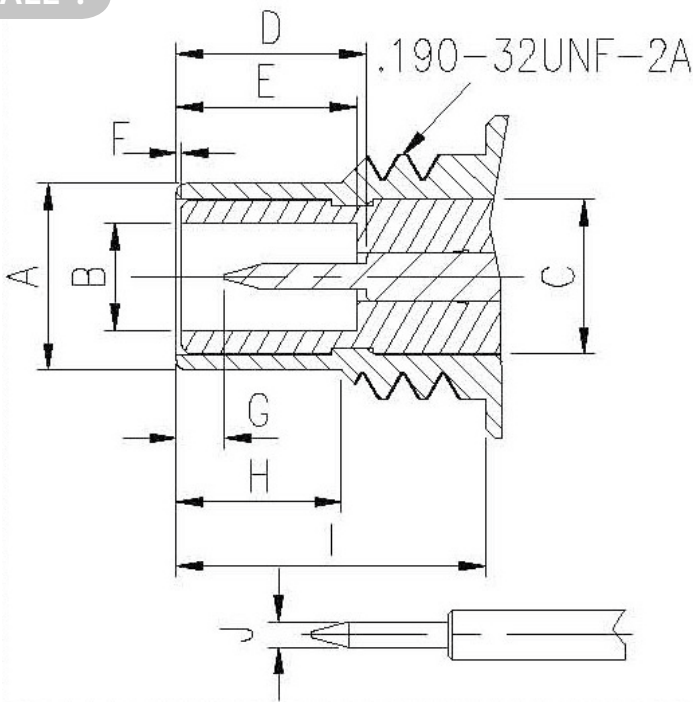
Interface Mating Dimensions

MALE :



LTR.	Millimeters / Inches			
	MINIMUM		MAXIMUM	
A -	Ø 2.00	Ø .079	Ø 2.08	Ø .082
B -	Ø 3.73	Ø .147	Ø 3.81	Ø .150
C -	3.05	.120	3.10	.122
D -	2.79	.110		
E -	3.23	.127	3.40	.134
F -	3.30	.130	3.40	.134
G -	3.05	.120	3.10	.122
H -			5.92	.233
I -	0.00	.110	0.15	.006
J -	2.79	Ø .039		
K -	Ø 0.55	Ø .022	Ø 0.60	Ø .024

FEMALE :



LTR.	Millimeters / Inches			
	MINIMUM		MAXIMUM	
A -	Ø 3.66	Ø .144	Ø 3.71	Ø .144
B -	Ø 2.10	Ø .083	Ø 2.20	Ø .087
C -	Ø 3.05	Ø .120	Ø 3.10	Ø .122
D -	3.40	.134	3.51	.138
E -	3.40	.134	3.61	.142
F -	0.00	.000	0.25	.010
G -	0.79	.031		
H -	3.12	.123	3.38	.133
I -	5.94	.234		
J -	Ø 0.48	Ø .019	Ø 0.53	Ø .039



Technical Data

Material / Finish :

	Material	Finish
Connector body	Brass per (QQ-B-626 or JIS-C3604B)	Nickel or gold plating
Center contact male	Brass per (QQ-B-626 or JIS-C3604B)	Gold plating
Center contact female	Beryllium copper per (QQ-C-530 or JIS-C1730) or Phosphor bronze per (QQ-B-750 or JIS-C5441B)	Gold plating
Insulator	PTFE	None
Crimp ferrule	Annealed copper	Same as body
Gasket	Silicone rubber	None

Electrical :

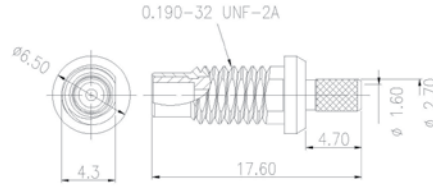
Nominal impedance	50 Ω
Frequency up to	6 GHz
VSWR	1.20 + 0.05 × f GHz
Working voltage	250 Volts rms.
Dielectric withstanding voltage	750 Volts rms.
Insulation resistance	1000 MΩ min.
Contact resistance	center conductor 6.0 mΩ outer conductor 1.5 mΩ

Mechanical & Environmental :

Mating	.190-32 UNEF Thread coupling
Cable retention	4.5 kgf typical
Durability	≥ 500 cycles
Coupling nut retention	≥ 10 kgf
Temperature range	PTFE -55 °C to +155 °C
Vibration	Per MIL-STD-202 Method 204 Test Condition D
Corrosion	Per MIL-STD-202 Method 101 Test Condition B

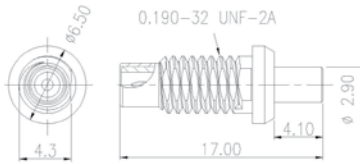


Straight Bulkhead Jack(female)



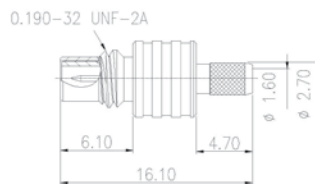
Aliner P/N	Impedance	Plating	Packaging	Cable Type	Note
21-432B0-B	50	Gold	Bulk	RG-174/U;RG-188 A/U;RG-316/U	Standard

Straight Bulkhead Jack(female)



Aliner P/N	Impedance	Plating	Packaging	Cable Type	Note
21-432C0-B	50	Gold	Bulk	1.13 mini coaxial	Standard

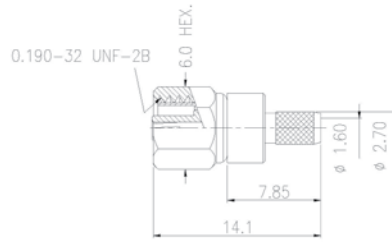
Straight Jack(female)



Aliner P/N	Impedance	Plating	Packaging	Cable Type	Note
21-431A0-B	50	Nickel	Bulk	RG-174/U;RG-188 A/U;RG-316/U	Standard
21-431G0-B	50	Gold	Bulk	RG-174/U;RG-188 A/U;RG-316/U	Standard

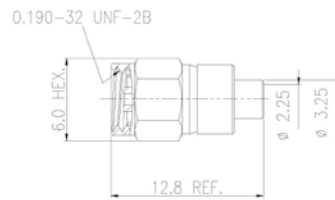


Straight Plug(male)



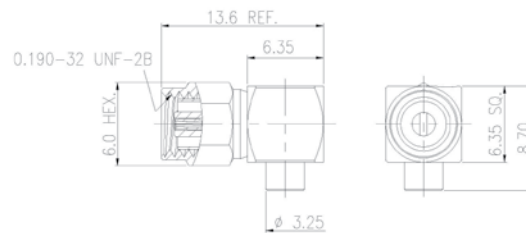
Aliner P/N	Impedance	Plating	Packaging	Cable Type	Note
21-401A0-B	50	Nickel	Bulk	RG-174/U;RG-188 A/U;RG-316/U	Standard
21-401G0-B	50	Gold	Bulk	RG-174/U;RG-188 A/U;RG-316/U	Standard

Straight Plug(male)



Aliner P/N	Impedance	Plating	Packaging	Cable Type	Note
21-401GA-B	50	Gold	Bulk	.085 semi-rigid	Standard

Right Angle Plug(male)

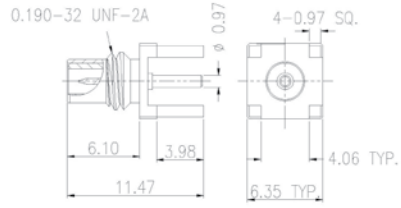


Aliner P/N	Impedance	Plating	Packaging	Cable Type	Note
21-309AA-B	50	Gold	Bulk	.085 semi-rigid	Standard



Straight Jack(female)

PCB MOUNT



Aliner P/N
21-501G0-B

Impedance	Plating	Packaging	Mounting Pattern	Note
50	Gold	Bulk	B11	Standard