

# SSMA

SSMA



**Aliner Industries, Inc.**

No. 32, Lane 387, Min-an Rd., Sinjhuang City,  
Taipei County 24256, Taiwan

Tel : +886-2-2205-5791  
E-mail : sales@aliner.com.tw

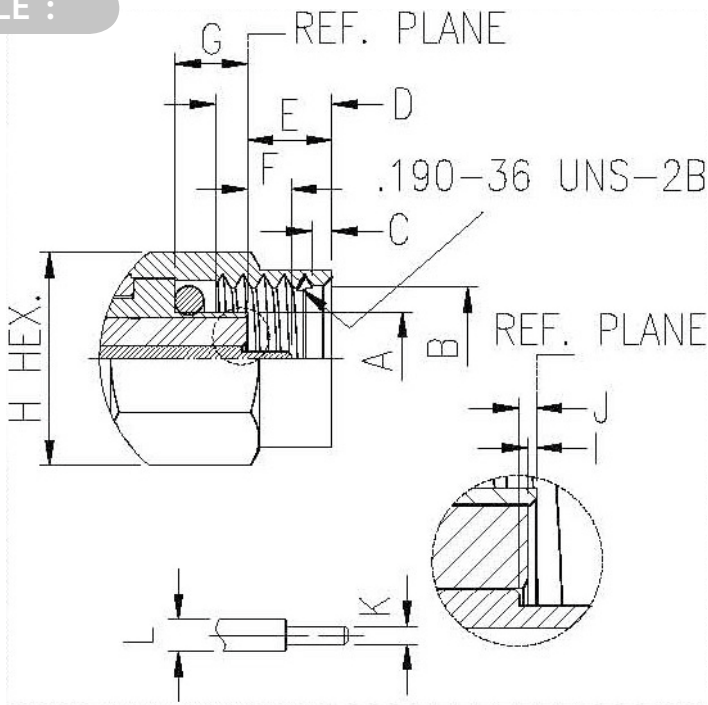
Fax : +886-2-2203-8052 / 2205-5628  
<http://www.aliner.com.tw>

# SSMA - Description

Aliner SSMA connectors are precision connectors for microwave application up to 18 GHz. The high mechanical strength, high durability, low VSWR and compact size to SMA connector.

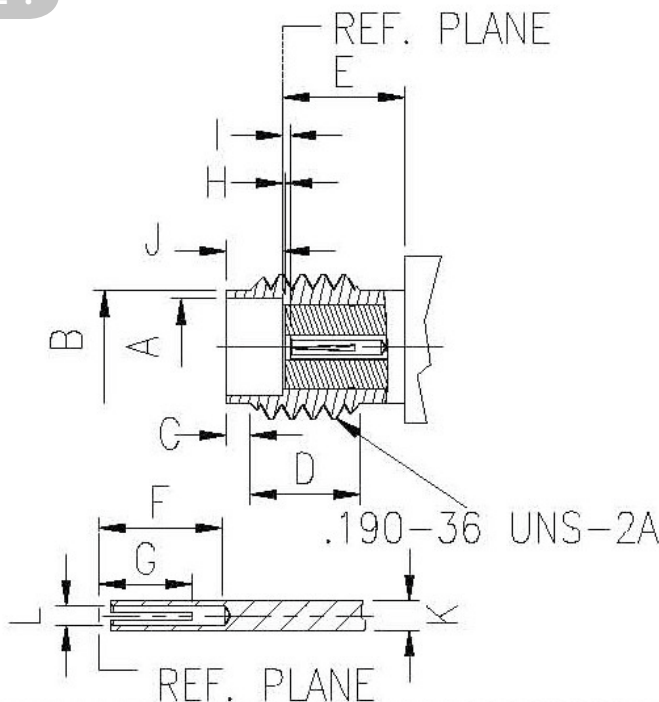
## Interface Mating Dimensions

### MALE :



LTR.	Millimeters / Inches			
	MINIMUM		MAXIMUM	
A -	Ø 3.17	Ø .125	Ø 3.22	Ø .127
B -	Ø 4.98	Ø .196	Ø 5.21	Ø .205
C -	0.38	.015	1.14	.045
D -	2.54	.100	4.32	.170
E -	2.54	.100	3.40	.134
F -	1.40	.055	1.65	.065
G -	2.03	.080		
H -	6.35 nominal			
I -	0.00	.000	0.13	.005
J -	0.00	.000	0.13	.005
K -	Ø 0.85	Ø .033	Ø 0.88	Ø .035
L -	Ø 0.50	Ø .020	Ø 0.53	Ø .021

### FEMALE :



LTR.	Millimeters / Inches			
	MINIMUM		MAXIMUM	
A -	3.23	Ø .127	3.28	Ø .129
B -	3.89	Ø .153	4.04	Ø .159
C -	0.38	.015	1.14	.045
D -	3.81	.150		
E -	3.89	.153		
F -	2.92	.115	3.30	.130
G -	1.52	.060	1.80	.071
H -	0.00	.000	0.13	.005
I -	0.00	.000	0.13	.005
J -	1.88	.074	1.98	.078
K -	Ø 0.85	Ø .033	Ø 0.88	Ø .035
L -	Ø 0.50	Ø .020	Ø 0.53	Ø .021



## Technical Data

### Material / Finish :

	Material	Finish
Connector body	Brass per ( QQ-B-626 or JIS-C3604B )	Nickel or gold plating
	Stainless steel per ( QQ-S-764 class 303 )	Passivated
Center contact male	Brass per ( QQ-B-626 or JIS-C3604B )	Gold plating
Center contact female	Beryllium copper per ( QQ-C-530 or JIS-C1730 )	Gold plating
Insulator	PTFE	None
Crimp ferrule	Annealed copper	Same as body
Gasket	Silicone rubber	None

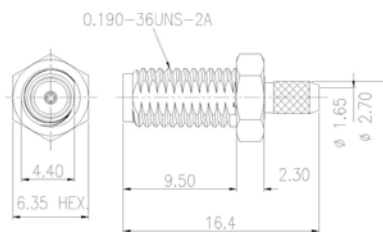
### Electrical :

Nominal impedance	50Ω
Frequency up to	12.4 GHz
VSWR	1.15 + 0.02 x f GHz for straight connector typical 1.20 + 0.03 x f GHz for right angle connector typical
Working voltage	335 Volts rms.
Dielectric withstanding voltage	500 Volts rms.
Insulation resistance	5000 MΩ min.
Contact resistance	center conductor 3.0 mΩ outer conductor 2.0 mΩ

### Mechanical & Environmental :

Mating	.190-36 UNS thread coupling
Cable retention	3 kgf typical
Coupling nut retention	≥10 kgf
Temperature range	-55°C to +155°C
Corrosion	Per MIL-STD-202 Method 101 Test Condition B

## Straight Bulkhead Jack(female)



**Aliner P/N**  
**34-130A0-B**

**Impedance**

50

**Plating**

Gold

**Packaging**

Bulk

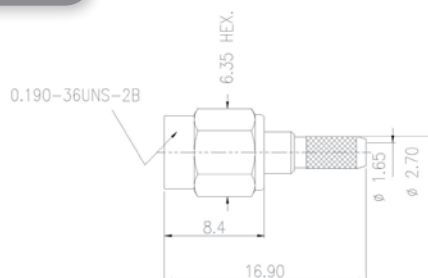
**Cable Type**

RG-174/U ; RG-188 A/U ; RG-316/U

**Note**

Standard

## Straight Plug(male)



**Aliner P/N**  
**34-101A0-B**

**Impedance**

50

**Plating**

Gold

**Packaging**

Bulk

**Cable Type**

RG-174/U ; RG-188 A/U ; RG-316/U

**Note**

Standard