



SSMCX



Aliner Industries, Inc.

No. 32, Lane 387, Min-an Rd., Sinjhuang City,
Taipei County 24256, Taiwan

Tel : +886-2-2205-5791
E-mail : sales@aliner.com.tw

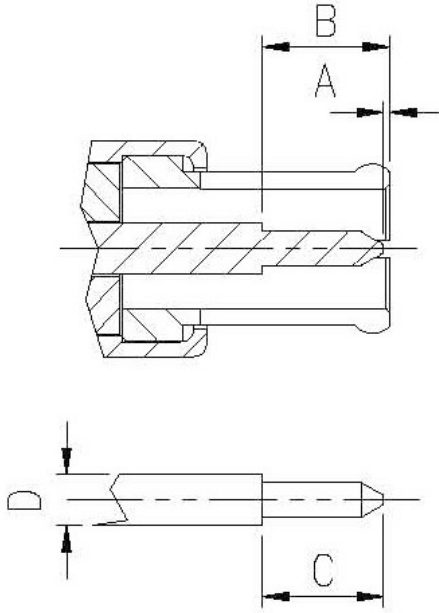
Fax : +886-2-2203-8052 / 2205-5628
<http://www.aliner.com.tw>

SSMCX - Description

A liner SSMCX micro miniature connectors provide advantages of essential space reduction against MMCX. A liner SSMCX connectors can be used from DC up to 6 GHz and higher. The features are high reliability and durability as well as ease of assembly to coaxial cables.

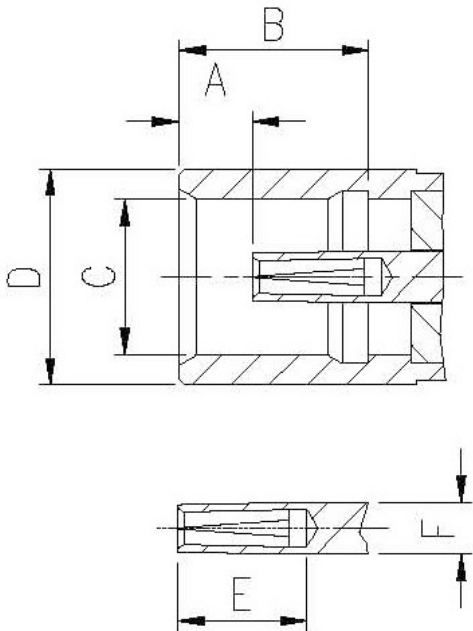
Interface Mating Dimensions

MALE :



LTR.	Millimeters / Inches			
	MINIMUM		MAXIMUM	
A -	0.00	.000	0.25	.001
B -	1.23	.048	1.73	.068
C -	1.30	.051	1.50	.059
D -	Ø 0.57	Ø .022	Ø 0.63	Ø .025

FEMALE :



LTR.	Millimeters / Inches			
	MINIMUM		MAXIMUM	
A -	0.60	.024	1.10	.043
B -	2.08	.082	2.32	.091
C -	Ø 1.75	Ø .069	Ø 1.85	Ø .073
D -	Ø 2.45	Ø .096	Ø 2.55	Ø .100
E -	1.50	.059	1.80	.071
F -	Ø 0.57	Ø .022	Ø 0.63	Ø .025



Technical Data

Material / Finish :

	Material	Finish
Connector body	Brass per (QQ-B-626 or JIS-C3604B)	Gold plating
Center contact male	Brass per (QQ-B-626 or JIS-C3604B)	Gold plating
Center contact female	Beryllium copper per (QQ-C-530 or JIS-C1730)	Gold plating
Insulator	PTFE	None

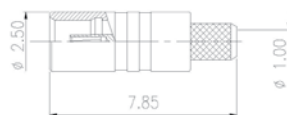
Electrical :

Nominal impedance	50 Ω
Frequency up to	6 GHz
VSWR	1.30 max @ 1-3 GHz 1.50 max @ 3-6 GHz
Working voltage	250 Volts rms.
Dielectric withstanding voltage	500 Volts rms.
Insulation resistance	1000 M Ω min.
Contact resistance	center conductor 5.0 m Ω outer conductor 3.0 m Ω

Mechanical & Environmental :

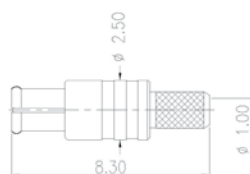
Mating	Snap on coupling
Cable retention	2.5 kgf typical
Engage force	\leq 2.0 kgf
Disengage force	0.5 to 2.0 kgf
Durability	\geq 500 cycles
Vibration	Per MIL-STD-202 Method 204 Test Condition D
Corrosion	Per MIL-STD-202 Method 101 Test Condition B

Straight Jack(female)



Aliner P/N	Impedance	Plating	Packaging	Cable Type	Note
32-130B0-B	50	Gold	Bulk	1.37 mini coaxial	Standard
32-130C0-B	50	Gold	Bulk	1.13 mini coaxial	Standard

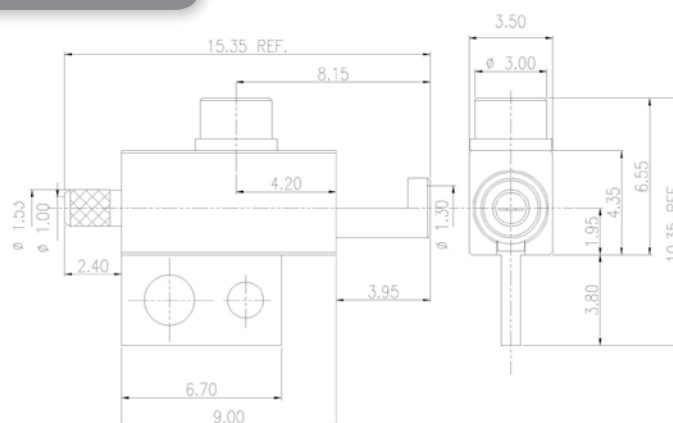
Straight Plug(male)



Aliner P/N	Impedance	Plating	Packaging	Cable Type	Note
32-101B0-B	50	Gold	Bulk	1.37 mini coaxial	Standard
32-101C0-B	50	Gold	Bulk	1.13 mini coaxial	Standard

Straight Jack(female)

CABLE SWITCH LOCK



Aliner P/N	Impedance	Plating	Packaging	Note
32-301BA-T	50	Gold	Tray	Standard