



TNC



Aliner Industries, Inc.

No. 32, Lane 387, Min-an Rd., Sinjhuang City,
Taipei County 24256, Taiwan

Tel : +886-2-2205-5791
E-mail : sales@aliner.com.tw

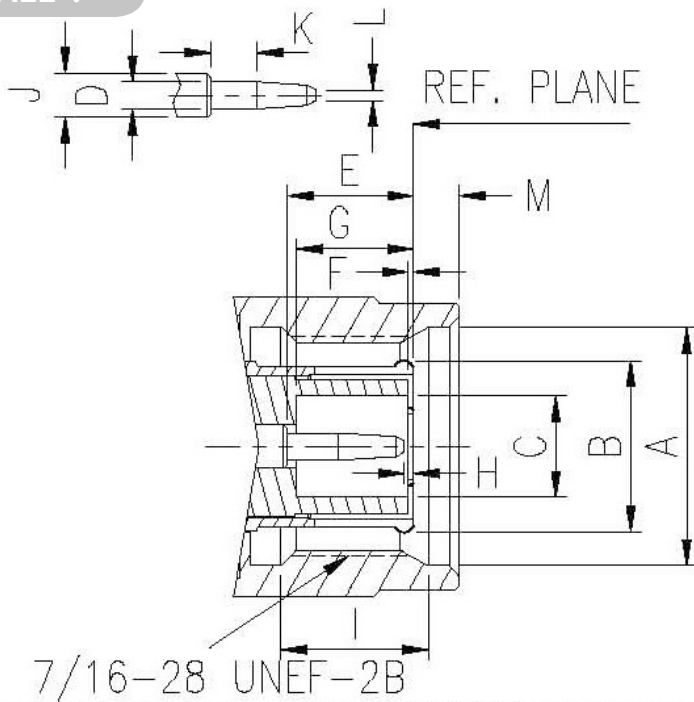
Fax : +886-2-2203-8052 / 2205-5628
<http://www.aliner.com.tw>

TNC - Description

Aliner TNC connectors were developed for missile and aircraft application, also called the threaded version of the BNC available in 50Ω and 75Ω types. TNC connectors can be used under higher environmental load than series BNC especially under vibration load.

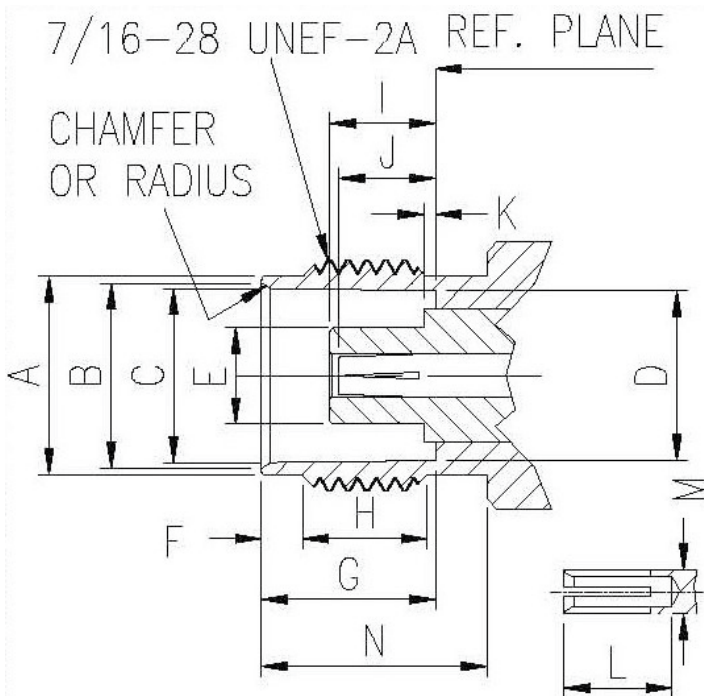
Interface Mating Dimensions

MALE :



LTR.	Millimeters / Inches			
	MINIMUM		MAXIMUM	
A -	Ø 11.18	Ø .440		
B -	Ø 7.93	Ø .312	Ø 8.12	Ø .319
C -	Ø 4.83	Ø .190		
D -	Ø 1.32	Ø .052	Ø 1.37	Ø .054
E -	5.33	.210	5.84	.230
F -	0.15	.006		
G -	5.28	.208	5.79	.228
H -	0.08	.003	1.02	.040
I -	3.96	.156		
J -	2.06	.081	2.21	.087
K -	1.98	.078		
L -			0.64	.025
M -			1.98	.078

FEMALE :



LTR.	Millimeters / Inches			
	MINIMUM		MAXIMUM	
A -	Ø 9.60	Ø .378	Ø 9.68	Ø .381
B -	Ø 8.79	Ø .346	Ø 9.04	Ø .356
C -	Ø 8.31	Ø .327	Ø 8.46	Ø .333
D -	Ø 8.10	Ø .319	Ø 8.15	Ø .321
E -			Ø 4.72	Ø .186
F -	1.73	.068	2.24	.088
G -	8.31	.327	8.51	.335
H -	4.75	.187		
I -	4.78	.188	5.28	.208
J -	4.72	.186	5.23	.206
K -			0.15	.006
L -	4.95	.195		
M -	2.06	.081	2.21	.087
N -	10.52	.414		



Technical Data

Material / Finish :

	Material	Finish
Connector body	Brass per (QQ-B-626 or JIS-C3604B)	Nickel or Gold plating
Center contact male	Brass per (QQ-B-626 or JIS-C3604B)	Gold plating
Center contact female	Beryllium copper per (QQ-C-530 or JIS-C1730) or Phosphor bronze per (QQ-B-750 or JIS-C5441B)	Gold plating
Insulator	PTFE or P.P.	None
Crimp ferrule	Annealed copper	Same as body
Gasket	Silicone rubber	None

Electrical :

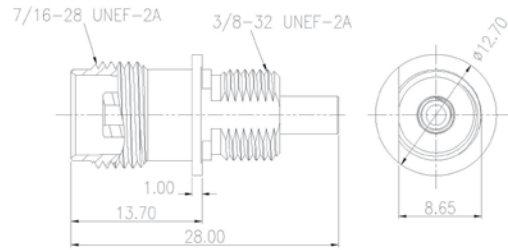
Nominal impedance	50 Ω
Frequency up to	11 GHz
VSWR	1.25 + 0.02 x f GHz
Working voltage	500 Volts rms.
Dielectric withstanding voltage	1500 Volts rms.
Insulation resistance	5000 MΩ min.
Contact resistance	center conductor 4.0 mΩ outer conductor 1.5 mΩ

Mechanical & Environmental :

Mating	7/16"-28UNEF thread coupling
Cable retention	6 kgf typical
Durability	≥ 500 cycles
Coupling nut retention	50 kgf min.
Temperature range	P.P. -45 °C to+85°C , PTFE -55°C to+155°C
Vibration	Per MIL-STD-202 Method 204 Test Condition D
Corrosion	Per MIL-STD-202 Method 101 Test Condition B



Straight Bulkhead Jack(female)



Aliner P/N
12-201AA-B

Impedance
50

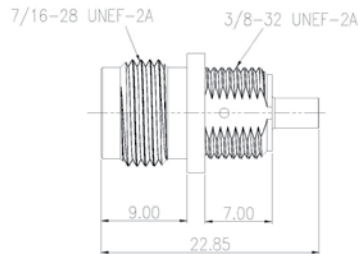
Plating
Nickel

Packaging
Bulk

Cable Type
RG-174/U;RG-188 A/U;RG-316/U

Note
Standard

Straight Bulkhead Jack(female)



Aliner P/N
12-130HR-B

Impedance
50

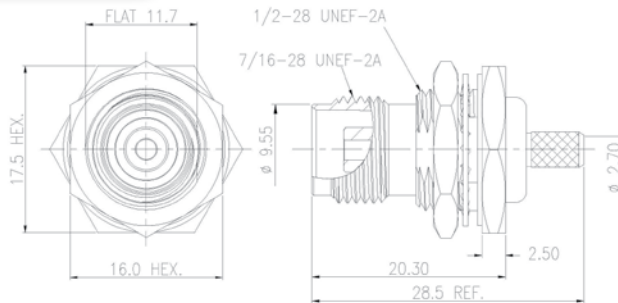
Plating
Nickel

Packaging
Bulk

Cable Type
RG-178 B/U;RG-196 A/U

Note
Reverse Polarity

Straight Bulkhead Jack(female)



Aliner P/N
12-135BR-B

Impedance
50

Plating
Nickel

Packaging
Bulk

Cable Type
1.37 mini coaxial

Note
Reverse Polarity

12-135AD-B

50

Nickel

Bulk

RD-316

Standard

12-135A1-B

50

Nickel

Bulk

RG-142 B/U;RG-223/U;RG-400/U

Standard

12-135AR-B

50

Nickel

Bulk

RG-174/U;RG-188 A/U;RG-316/U

Reverse Polarity

12-135A0-B

50

Nickel

Bulk

RG-174/U;RG-188 A/U;RG-316/U

Standard

12-135A2-B

50

Nickel

Bulk

RG-58 C/U;RG-303/U

Standard

12-135CR-B

50

Nickel

Bulk

RG-58 C/U;RG-303/U

Reverse Polarity

12-135LA-B

50

Nickel

Bulk

LMR-100/A

Standard

12-135LR-B

50

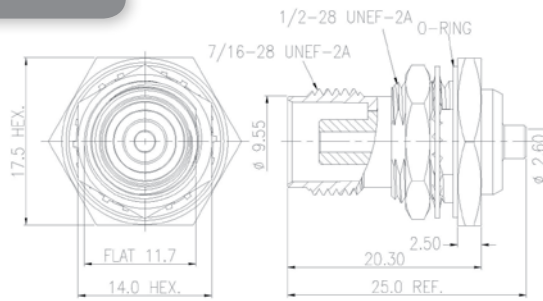
Nickel

Bulk

LMR-100/A

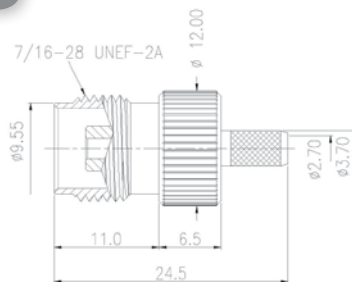
Reverse Polarity

Straight Bulkhead Jack(female)



Aliner P/N	Impedance	Plating	Packaging	Cable Type	Note
12-135ER-B	50	Nickel	Bulk	1.13 mini coaxial	Reverse Polarity
12-135EB-B	50	Nickel	Bulk	1.13 mini coaxial	Standard
12-135EA-B	50	Nickel	Bulk	1.37 mini coaxial	Standard
12-135DR-B	50	Nickel	Bulk	RG-178 B/U;RG-196 A/U	Reverse Polarity
12-135EC-B	50	Nickel	Bulk	RG-178 B/U;RG-196 A/U	Standard

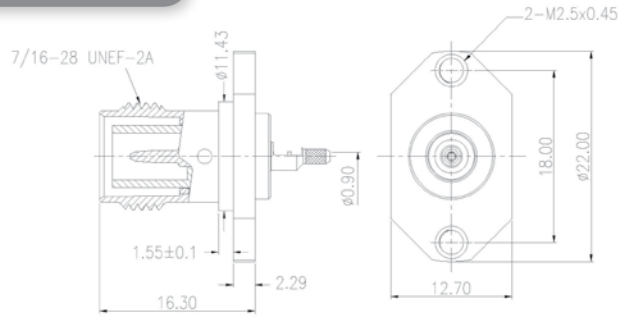
Straight Jack(female)



Aliner P/N	Impedance	Plating	Packaging	Cable Type	Note
12-130E0-B	50	Nickel	Bulk	2.5D-2V	Standard
12-130FR-B	50	Nickel	Bulk	Filotex 296769	Reverse Polarity
12-130F0-B	50	Nickel	Bulk	Filotex 296769	Standard
12-130AR-B	50	Nickel	Bulk	RG-174/U;RG-188 A/U;RG-316/U	Reverse Polarity
12-130A0-B	50	Nickel	Bulk	RG-174/U;RG-188 A/U;RG-316/U	Standard
12-130AP-B	50	Nickel	Bulk	RG-58 C/U;RG-303/U	Reverse Polarity
12-130BR-B	50	Nickel	Bulk	RG-58 C/U;RG-303/U	Standard

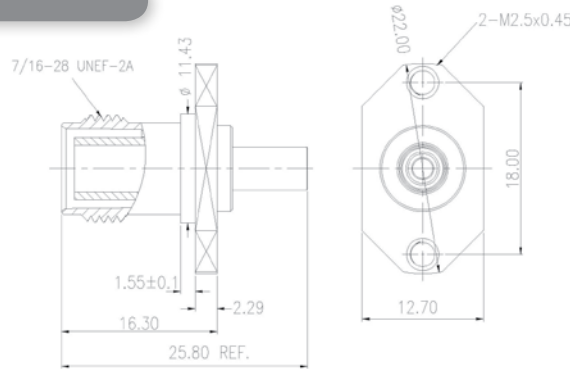


Straight Jack(female)



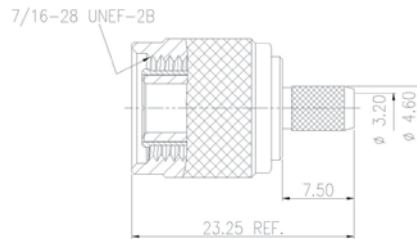
Aliner P/N	Impedance	Plating	Packaging	Cable Type	Note
12-139R0-B	50	Nickel	Bulk	1.13 mini coaxial	Reverse Polarity
12-142R0-B	50	Nickel	Bulk	1.37 mini coaxial	Reverse Polarity

Straight Jack(female)



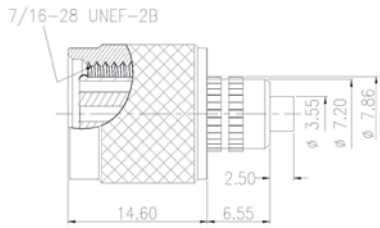
Aliner P/N	Impedance	Plating	Packaging	Cable Type	Note
12-141R0-B	50	Nickel	Bulk	RG-174/U;RG-188 A/U;RG-316/U	Reverse Polarity
12-138R0-B	50	Nickel	Bulk	RG-178 B/U;RG-196 A/U	Reverse Polarity

Straight Plug(male)



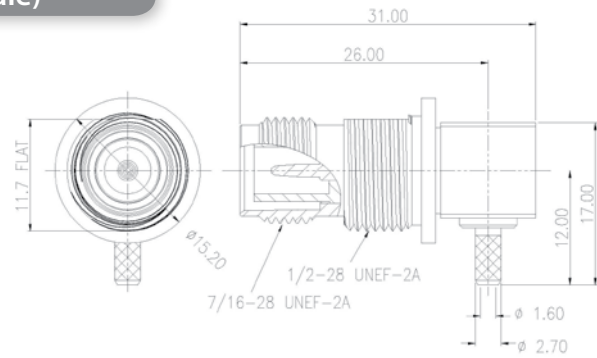
Aliner P/N	Impedance	Plating	Packaging	Cable Type	Note
12-131RB-B	50	Nickel	Bulk	Belden H155	Reverse Polarity
12-131RC-B	50	Nickel	Bulk	Filotex 296769	Reverse Polarity
12-131AB-B	50	Nickel	Bulk	LMR-200	Standard
12-131R2-B	50	Nickel	Bulk	LMR-240	Reverse Polarity
12-131CD-B	50	Nickel	Bulk	RD-316	Standard
12-131B0-B	50	Nickel	Bulk	RG-142 B/U;RG-223/U;RG-400/U	Standard
12-131RF-B	50	Nickel	Bulk	RG-142 B/U;RG-223/U;RG-400/U	Reverse Polarity
12-131C0-B	50	Nickel	Bulk	RG-174/U;RG-188 A/U;RG-316/U	Standard
12-131A0-B	50	Nickel	Bulk	RG-58 C/U;RG-303/U	Standard
12-131R0-B	50	Nickel	Bulk	RG-58 C/U;RG-303/U	Reverse Polarity

Straight Plug(male)



Aliner P/N	Impedance	Plating	Packaging	Cable Type	Note
12-132C0-B	50	Black Chrome	Bulk	RG-178 B/U;RG-196 A/U	Standard
12-131RN-T	50	Black Chrome	Tray	RG-178 B/U;RG-196 A/U	Reverse Polarity

Right Angle Bulkhead Jack(female)

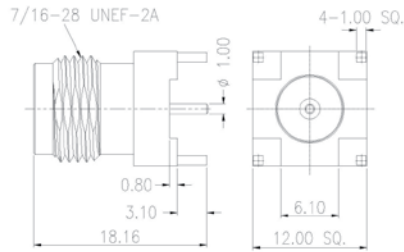


Aliner P/N	Impedance	Plating	Packaging	Cable Type	Note
12-109BR-B	50	Nickel	Bulk	LMR-100A	Reverse Polarity



Straight Jack(female)

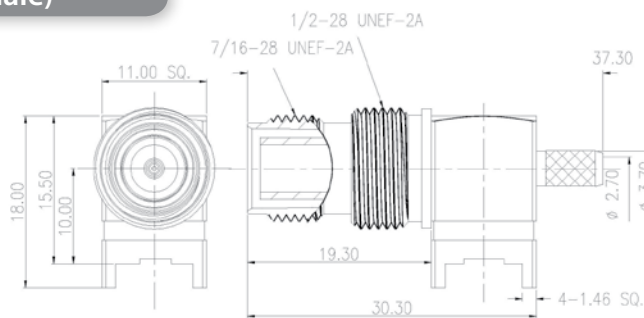
PCB MOUNT



Aliner P/N	Impedance	Plating	Packaging	Mounting Pattern	Note
12-002AA-T	50	Nickel	Tray	B65	Standard

Right Angle Bulkhead Jack(female)

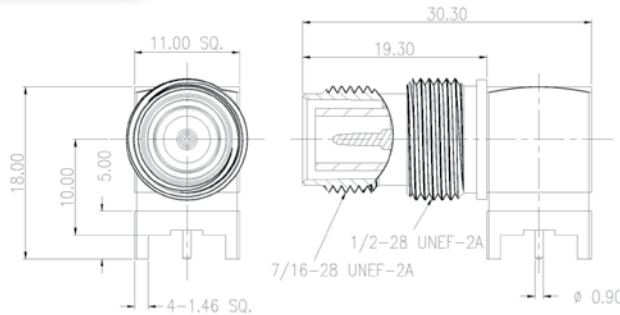
PCB MOUNT & CABLE



Aliner P/N	Impedance	Plating	Packaging	Mounting Pattern & Cable Type	Note
12-109AA-T	50	Nickel	Tray	B67 & RG-174 / RG-316 cable	Reverse Polarity

Right Angle Bulkhead Jack(female)

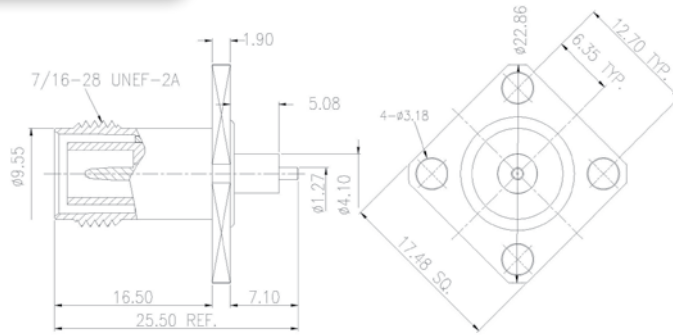
PCB MOUNT



Aliner P/N	Impedance	Plating	Packaging	Mounting Pattern	Note
12-109AR-T	50	Nickel	Tray	B67	Reverse Polarity



Straight Jack(female)



A liner P/N
12-136CA-V

Impedance
50

Plating
Tri-alloy

Packaging
Single

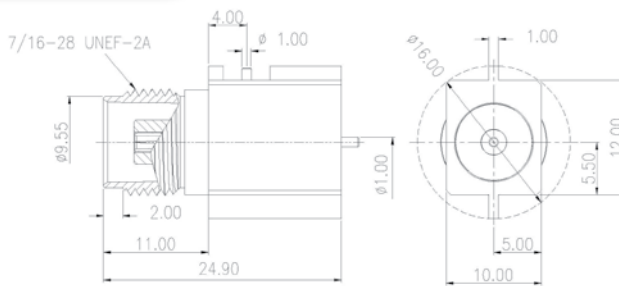
Note
Reverse Polarity

TNC SWITCH CONNECTOR



Straight Jack(female)

PCB EDGE MOUNT



A liner P/N
12-301AA-T

Impedance
50

Plating
Gold

Packaging
Tray

Mounting Pattern
B84

Note
Standard

